

WIPX2LBVLPR

BULLET CAMERA

2MP H.265 IP LPR Camera with 7-22mm Motorised Lens with 50m IR



Key Features

- Starlight
- 1080p (1920 × 1080) @ 30fps
- Support Smart H.265/H.264 coding
- ICR auto switch, True day/night
- 50~70m IR night view distance, motorised zoom lens
- 3D DNR, true WDR, HLC, BLC and ROI coding
- Built-in micro SD card slot, up to 128GB
- 1 channel audio input and output, Hardware reset
- To be used in conjunction with an "AI" network video recorder
- IP67 ingress protection
- Supports three streams
- 1 channel alarm input and output
- Supports mobile surveillance by smart phones with iOS and Android OS
- Intelligent Analytics: Video abnormality (Video tampering, scene change), Licence plate recognition
- DC12V / PoE power supply

The Genie WIPX2LBVLPR bullet style camera is a high quality IP camera especially designed to operate with the Genie "AI" NVR's and provide a very effective LPR (License Plate Recognition) system suitable for a host of applications including clubs, business car parks, private estates etc. etc. The camera utilises a motorised auto focus lens for ease of set up, and whilst it boasts long range IR the "Starlight" sensor used provides colour images in the darkest of environments.



Specification

Camera

Image Sensor	1 / 2.8" CMOS
Image Size	1920 × 1080
Electronic Shutter	1 / 25 s ~ 1 / 100000 s
Iris Type	DC Iris
Minimum Illumination	0.0026 Lux @ F1.2, AGC ON, 0 Lux with IR 0.005 Lux @ F1.6, AGC ON, 0 Lux with IR
Lens	Motorised zoom lens, 7-22mm @ F1.4
Lens Mount	Ø14
Field of View	Horizontal: 44°~17.6°
Wide Dynamic Range	120dB
BLC	Yes
HLC	Yes
Defog	Yes
Digital NR	3D DNR
Angle Adjustment	Pan: 0°~360°, Tilt: 0°~90°, Rotation: 0°~360°

Functions

Remote Monitoring	Web browsing, CMS remote control
Online Connection	Supports simultaneous monitoring for up to 10 users. Supports multi-stream real time transmission
Network Protocol	UDP, IPv4, IPv6, DHCP, NTP, RTSP, PPPoE, DDNS, SMTP, FTP, SNMP, 802.1x, UPnP, HTTP, HTTPS, QoS
Interface Protocol	Onvif compatible
Intelligent Analytics	License plate recognition, video abnormality detection (video tampering, scene change)
Storage	Network remote storage, Micro SD card storage
Smart Alarm	Motion detection, Sensor alarm, SD card full, SD card error, IP address conflict, Network disconnection
General Function	Watermark, IP address filtering, video mask, heartbeat, password protection, non-photosensitive switch, image distortion correction
PoE	Yes, (802.3af)
IR Distance	50~70m

LPR

Snapshot	Overview and cutout of plate for picture
White List	10000
Capture Speed Range	0~70km/h

Image

Video Compression	Smart H.265 / H.265+ / H.265 / Smart H.264 / H.264+ / H.264 / MJPEG
H.264 Compression Standard	Baseline Profile / Main Profile / High Profile
Resolution	1080p (1920 × 1080), 720p (1280 × 720), D1, CIF, 480 × 240
Main Stream	60Hz : 1080p / 720p (1~30fps), 50Hz : 1080p / 720p (1~25fps), HFR Mode : 1080p / 720p (1~60fps / 50fps)
Sub Stream	60Hz : 720p / D1 / CIF (1~30fps), 50Hz : 720p / D1 / CIF (1~25fps)
Third Stream	60Hz : D1 / CIF / 480 × 240 (1~30fps), 50Hz : D1 / CIF / 480 × 240 (1~25fps)
Bit Rate	64 Kbps ~ 6 Mbps
Bit Rate Type	VBR / CBR
Audio Compression	G711A/U
Image Settings	ROI, Saturation, Brightness, Chroma, Contrast, Wide Dynamic, Sharpen, NR, etc. Adjustable through client software or web browser.
ROI	Each ROI to be configured separately

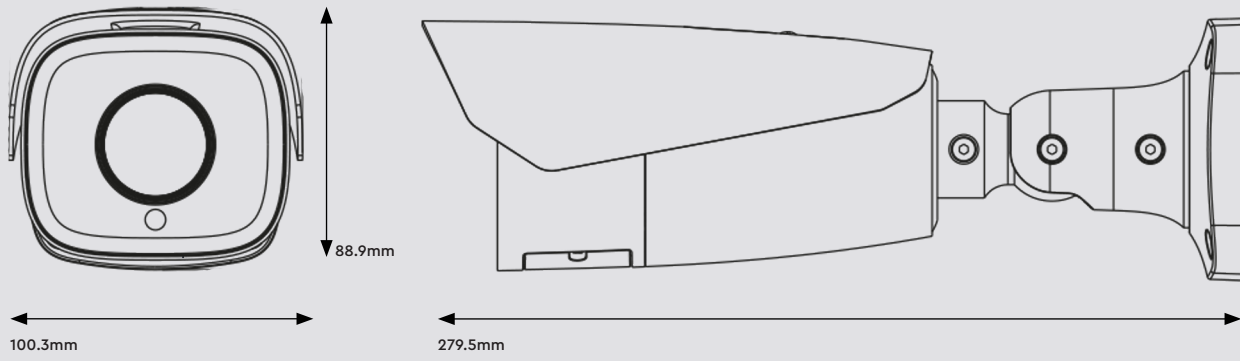
Interface

Network	RJ45
Video Output	No
Audio	1CH audio input and output
Alarm	1CH alarm input, 1CH alarm output
Storage	Built-in Micro SD card slot, up to 128GB
Hardware Reset	Yes

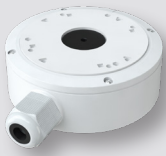
Others

Ingress Protection	IP67
Power Supply	DC12V / PoE
Power Consumption	< 11W
Operating Environment	-30 °C ~ 60°C (-22 °F~140°F) Humidity: Less than 95 % (Non-Condensing)
Dimensions	279.5 × 100.3 × 88.9 mm
Weight	Approx. 1.04 Kg

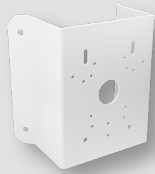
Dimensions



Accessories



WJBBVWP
Waterproof Junction Box
- White



WIPPCM
Multi-Purpose Corner
Mount Bracket - White



WIPMPM
Multi-Purpose Pole
Mount Bracket - White