

PWIPNW4B

BULLET CAMERA

4MP H.265 IP IR Bullet Camera with 2.8mm Lens and Wi-Fi



Key Features

- H.265/H.264 coding
- Max.resolution: 4MP (2560 × 1440)
- ICR auto switch, true day / night vision
- 3D DNR, digital WDR, HLC, BLC, defog
- ROI coding
- 20~30m IR night view distance
- Built-in micro SD card slot, up to 128GB
- DC12V/PoE power supply
- P2P function optional
- Supports Wi-Fi
- IP67 ingress protection
- Supports three streams
- Supports remote monitoring by smart phones and tablet PCs with iOS and Android OS
- Intelligent analytics: object removal detection, video exception detection, line crossing and intrusion detection
- NDAA compliant

The Genie **PWIPNW4B** is a 4MP IP IR bullet camera with a 2.8mm lens and Wi-Fi. The camera also features up to 30m IR night view distance as well as being IP67.



Specification

Camera

Image Sensor	1 / 2.7 "CMOS
Image Size	2560×1440
Electronic Shutter	1 s ~ 1 / 100000 s
Iris Type	Fixed Iris
Minimum Illumination	0.011 Lux @F1.2, AGC ON: 0 Lux with IR
Lens	2.8mm @ F2.0, Horizontal FoV: 110° Vertical FoV: 77.6°, Diagonal FoV: 117°
Focus	Fixed
Lens Mount	M12
Wide Dynamic Range	Digital WDR
BLC	Yes
HLC	Yes
Defog	Yes
Digital NR	3D DNR
Angle Adjustment	Pan: 0°~360°, Tilt:0°~80°, Rotation: 0°~360°

Image

Video Compression	H.265 / H.264
H.265 Compression Standard	Main Profile @ Leve4.1 High Tier
Resolution	4MP (2560 × 1440), 3MP (2304 × 1296), 1080p (1920 × 1080), 720p (1280 × 720), D1, CIF, 480 × 240
Main Stream	60Hz : 4MP/3MP/1080p (1~30fps), 50Hz : 4MP/3MP/1080p (1~25fps)
Sub Stream	60Hz : 720p (1~15fps) / D1 (1~30fps) / CIF (1~30fps) 50Hz: 720p (1~12fps) / D1 (1~25fps) / CIF (1~25fps)
Bit Rate	64 Kbps ~ 5 Mbps
Bit Rate Type	VBR / CBR
Image Settings	ROI, Saturation, Brightness, Hue, Contrast, Wide Dynamic, Sharpness, NR, etc. Adjustable through client software or web browser.
ROI	Each ROI to be configured separately

Interface

Network	RJ45
Storage	Built-in micro SD card slot, up to 128GB
Reset	Yes

Functions

Remote Monitoring	Web browsing, CMS remote control
Online Connection	Supports simultaneous monitoring for up to 4 users. Supports multi-stream real time transmission
Network Protocol	UDP, IPv4, IPv6, DHCP, NTP, RTSP, RTP, RTCP, ICMP, IGMP, PPPoE, DDNS, SMTP, FTP, 802.1x, UPnP, HTTPs, HTTP, QoS
Interface Protocol	Onvif compatible
Storage	Network remote storage, Micro SD card storage
Smart Alarm	Motion detection, SD card error, SD card full
Smart Events	Object removal (object left/missing detection), scene change and video blur detection, intrusion and line crossing
General Function	Watermark, IP address filtering, video mask, heartbeat, password protection
PoE	Yes
IR Distance	20 ~ 30 m

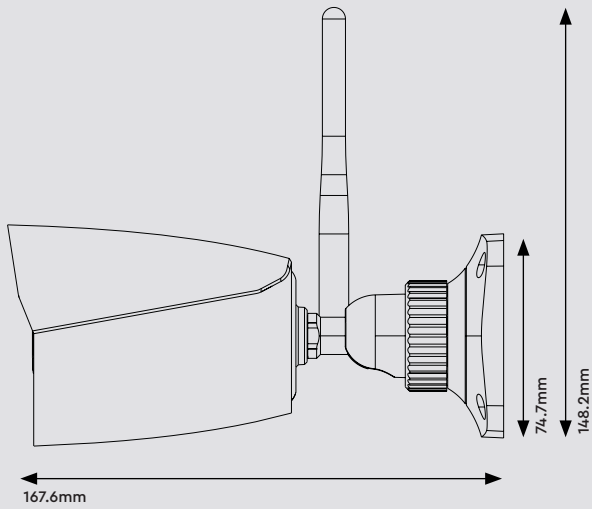
Wi-Fi

Wireless Standards	IEEE802.11b/g/n
Frequency Range	2.4GHz ~ 2.4835 GHz
Channel Bandwidth	20MHz
Security	WEP, WPA-PSK/WPA2-PSK
Wireless Range	80m
Transfer Rates	11b: 11Mbps 11g: 54Mbps 11n: up to 150Mbps

Others

Ingress Protection	IP67
Power Supply	DC12V / PoE
Power Consumption	< 5W
Operating Environment	- 30 °C ~ 60°C (-22°F~140°F) Humidity: Less than 95% (Non-condensing)
Dimensions	167.6 × 74.7 × 148.2 mm
Weight	Approx. 0.465KG

Dimensions



Accessories



WJBSBWP
Water Resistant Junction
Box for Varifocal Bullet
and Fixed Eyeball
Cameras - White



WIPSJB
Small Sized Junction Box
for Bullet and Eyeball
Cameras - White



WIPMPM
Multi Purpose Pole Mount
Bracket - White



WIPPCM
Multi Purpose Corner
Mount Bracket - White