

HXMB22MPV2

BULLET CAMERA

2.2MP HD-SDI Miniature Bullet Camera with 3.6mm Lens



Key Features

- 1/2.8" Progressive Scan CMOS
- 1080p (1920×1080) @30 (25) fps
- HD-SDI (100m @ RG59) / EX-SDI 1.0 (300m @ RG59) / CVBS
- 3.6mm fixed lens
- Electronic Day & Night
- 3D DNR, Defog
- IP67

The Genie HXMB22MPV2 is a 2.2MP HD-SDI miniature bullet camera with 3.6mm lens.



Specification

Camera

Image Sensor	1/2.8" Sony Exmor R Progressive Scan CMOS
Resolution	HD-SDI/EX-SDI 1.0: 1080p @ 30fps (25fps) / 720p @ 60fps (50fps) / 720p @ 30fps (25fps) TV out: CVBS NTSC/PAL
Electronic Shutter	AUTO / FLICKER / MANUAL / (1/30(25)~1/30,000)
Digital Slow Shutter (DSS)	OFF~ x32
Minimum Illumination	0.1 Lux (F2.0, AGC20dB, DSS:x2)
Lens	3.6mm fixed lens, F 2.0
Angle of View	112.3 (D) x 93.7 (H) x 49.3° (V)
Effective Pixels	1945 (H) x 1097 (V)

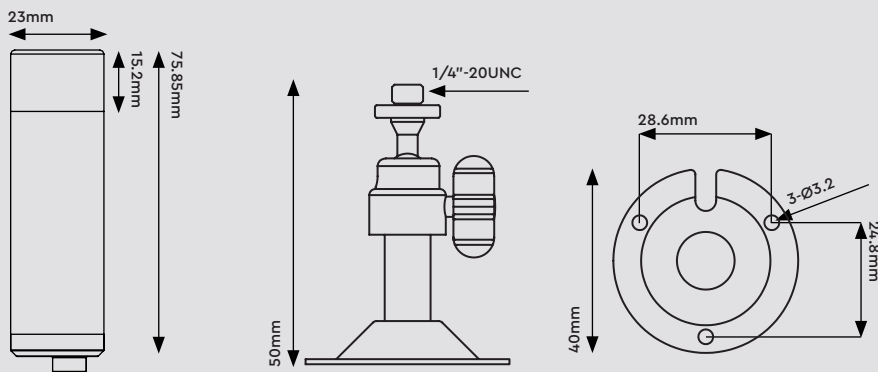
Others

Ingress Protection	IP67
Temperature	Operating: -10°C~+50°C Storage: -20°C~+60°C
Power Source	DC12V (±10%)
Power Consumption	Max. 190mA @ DC12V
Dimension	23 × 75.85 mm
Weight	Approx. 90g

Functions

White Balance	AUTO/PUSH LOCK/MANUAL
WDR/BLC	OFF/BLC/HLC
Auto Gain Control (AGC)	OFF~42dB
Day & Night	AUTO/COLOUR/B&W (Electronic D&N)
Noise Deduction	3D-DNR (OFF/LOW/MIDDLE/HIGH)
Motion Detection	OFF/ON (4 Zones)
Privacy Mask	16 Zones
Image Rotation	OFF/H-FLIP/V-FLIP/HV-FLIP
Defog	OFF/ON (AUTO/MANUAL)
Sharpness	Adjustable 0~10
OSD Control	Joystick, RS-485 Control
Language	4 languages
Video Output	HD-SDI/EX-SDI1.0/CVBS

Dimensions



Accessories



PSU1SM

DC12V 1A Regulated Switch
Mode Power Supply