

GMP3L319

# VARIFOCAL LENSES

1/2.7" 3MP 3.1-9mm IR Corrective Auto Iris Varifocal Lens

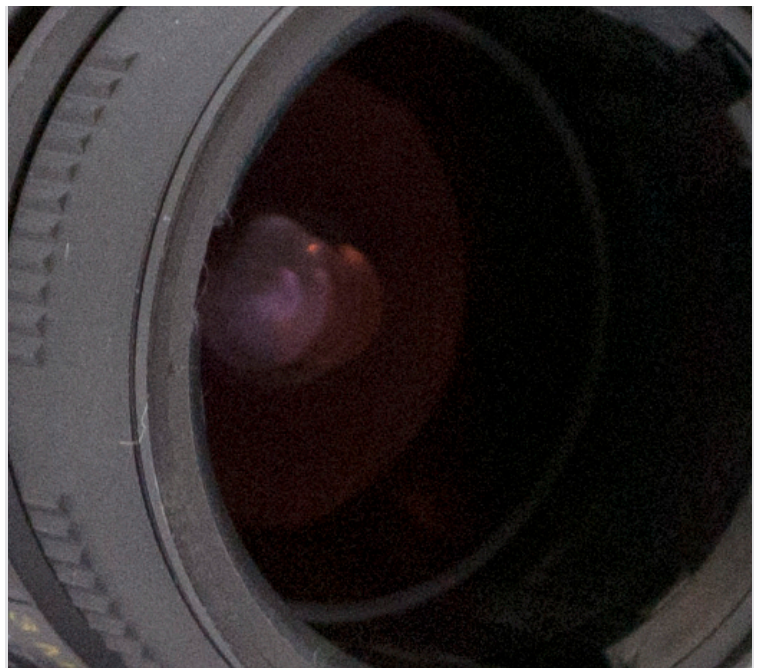


## Key Features

---

- 3MP 1/2.7" 3.1-9.0mm F1.3 Lens
- IR corrected auto iris DC varifocal lens
- Compatible with 1/2.8" and 1 1/3" chip

The Genie **GMP3L319** is a 3MP 3.1-9mm IR corrective auto iris varifocal lens.

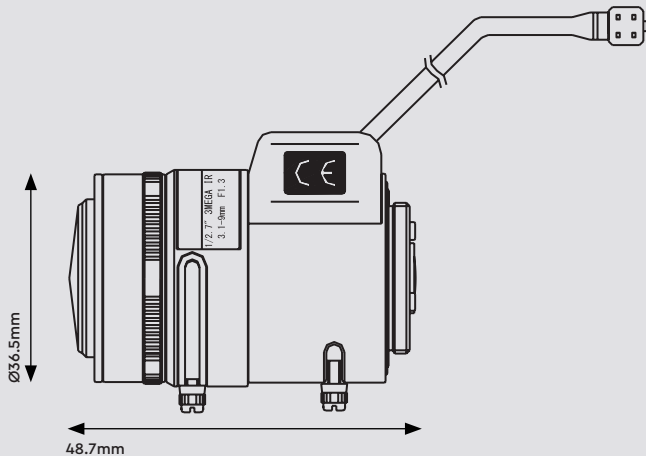


## Specification

<b>Focal Length</b>	3.1 ~ 9.0mm AI Varifocal Lens
<b>Fno.</b>	F1.3
<b>Image Format</b>	1/2.7"
<b>Iris Range</b>	F1.3 – F360
<b>Focus Range</b>	0.5m – ∞
<b>Zoom Range</b>	3.1 ~ 9.0mm
<b>Iris Control</b>	DC Galvanometer
<b>Focus Control</b>	Manual Control
<b>Zoom Control</b>	Manual Control
<b>Object Size at MOD</b>	4.3 (Wide : 759 × 1206.2mm, Tele : 244.5 × 330.4mm) 16.9 (Wide : 593.7 × 1507.4mm, Tele : 202 × 370.5mm)
<b>Field of View</b>	4.3 (D : 127.7°~ 43.5°, H : 99.4°~ 34.8°, V : 73.1°~ 26.1°) 16.9 (D : 130.3°~ 44.3°, H : 111.4°~ 38.6°, V : 60.1°~ 21.6°)

<b>Iris Driving Coil / Supply Voltage</b>	190Ω
<b>Iris Damping Coil / Current</b>	855Ω
<b>Back Focus</b>	8.317 ~ 15.491 mm
<b>Exit Pupil</b>	-281.9 ~ 30.15 mm
<b>Aperture</b>	Front : ø23.3 mm, Rear : ø8.2 mm
<b>Mount</b>	CS
<b>Operating Temperature</b>	-20°C ~ +50°C
<b>Dimensions</b>	ø36.5 × 48.7 mm
<b>Weight</b>	55.5g

## Dimensions



## Accessories



**FILTERKIT4**  
Filter Set Up Kit