

Two-Wire Electric Lock Door Phone

DOOR ROOM DA-1AS

Boxed set



DA-1AS
Kit box (silver color)



Door station
silver panel



DA-1MD
Master station

Power supply
PT-1211DR

Lineup



AC-10S
Access control
keypad,
surface mount



DAR-1
Call extension



AC-10F
Access control
keypad,
flush mount



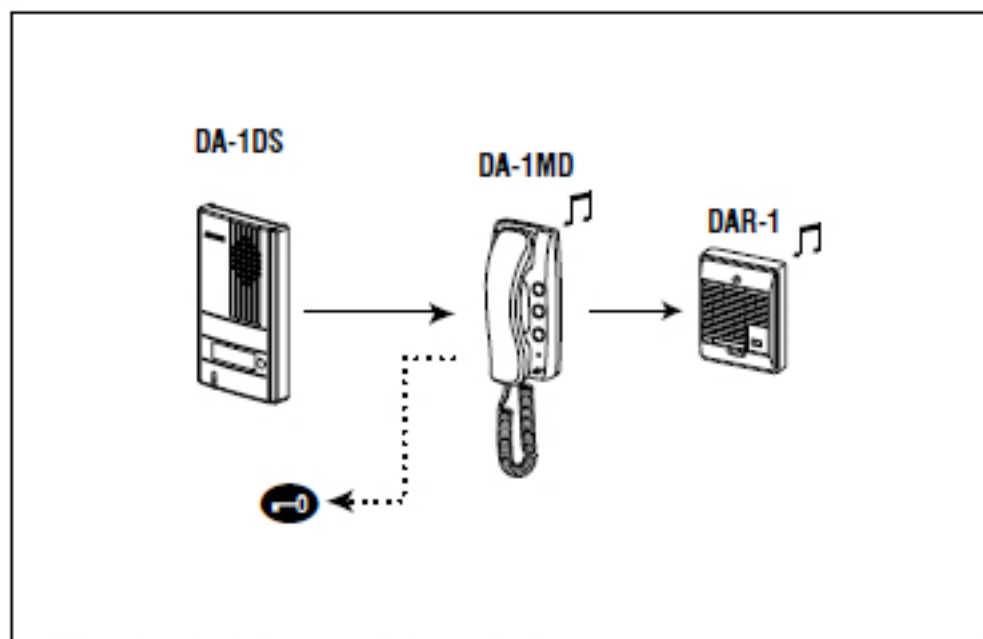
DAW-P
Door station
mounting plate
(83.5mm)

AUDIO ENTRY SECURITY

Features

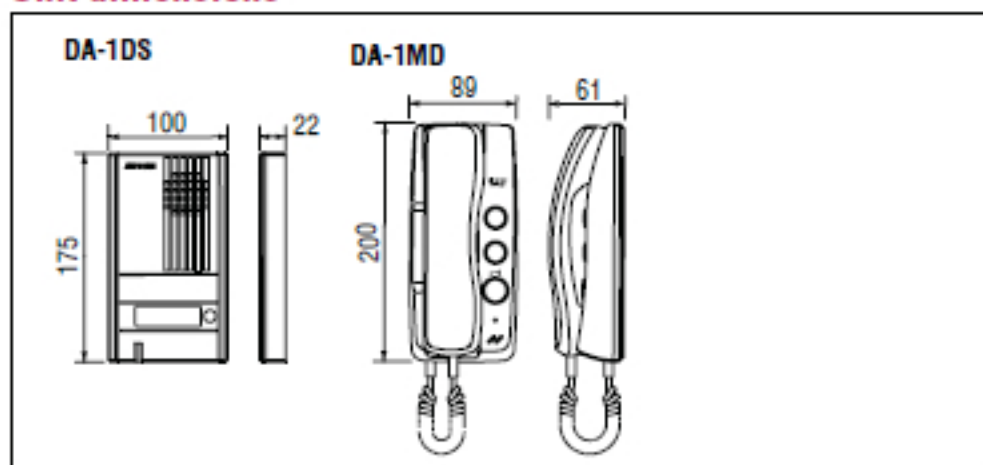
- Two-wire system including door release
- Door release wired to door station, requiring no power transformer
- User-optional function button
- Call tone MUTE with indicator
- Call extension sounder

Communication network

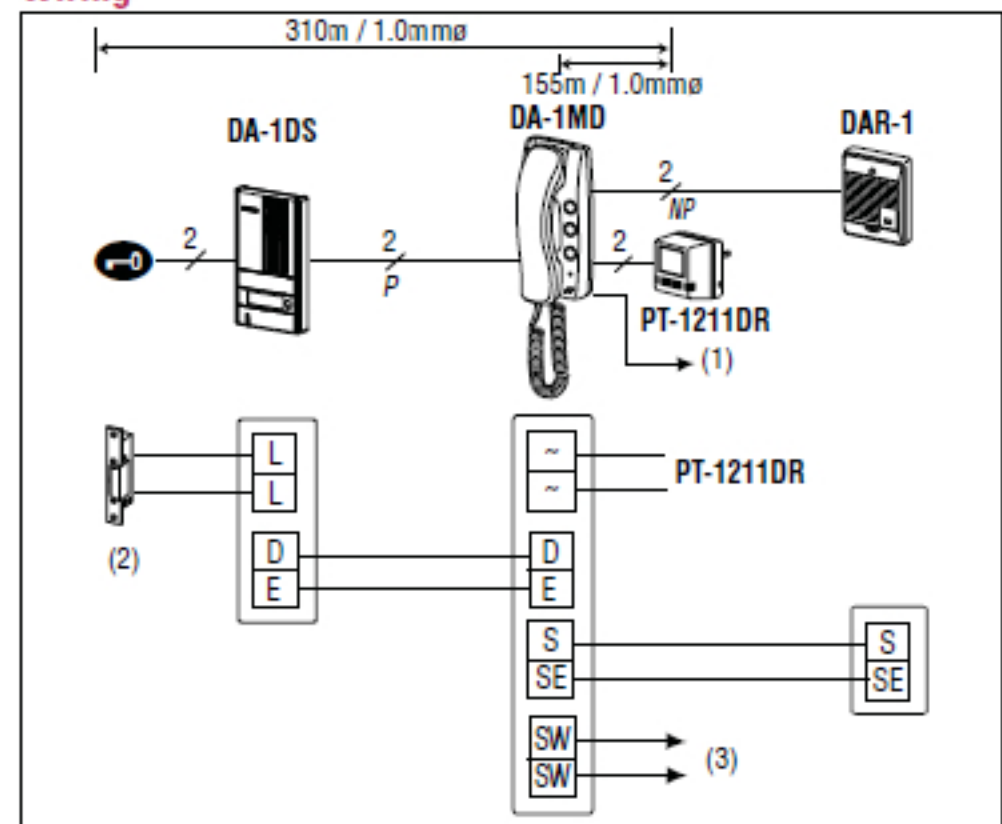


Hold down "CALL" button to ring inside station.

Unit dimensions



Wiring



- Place PT-1211DR inside electrical enclosure and connect to breaker, less than 16A.
- Do not use PT-1211DR for any other equipment.
- Terminals SW, SW; Dry-closure contact 18V AC, 40mA to connect user-optional function (Gate, Light, Garage, Proximity Access Control, etc.)
- (1) External device Relay/Controller
- (2) Door release (16V AC, 20Ω or more) Use optional RY-DA relay for clean contact release.
- (3) User-optional function (18V AC, 40mA)

Specifications (DA-1AS)

Power source	15V AC
Power supply	PT-1211DR (230V)
Communication	Press and hold down Button to call.
Wiring	2 wires, throughout system: PS - Master - Door - Door release
Distance	PT-1211DR ~ Door rlse. 110m(0.6mmø) 200m(0.8mmø) 310m(1.0mmø) PT-1211DR ~ DA-1MD 55m(0.6mmø) 100m(0.8mmø) 155m(1.0mmø)