

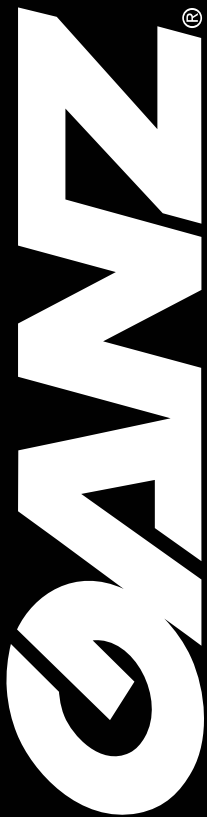
PixelPro Network Camera 3/5 Megapixel Dome Series





PixelPro

Features:

- 3 and 5 megapixel resolution
- Progressive scan CMOS sensor
- 3-10.5mm (3 megapixel)/3.6-10mm (5 megapixel) varifocal lens
- Proset system allows you to zoom and focus directly from your PC
- True WDR (Wide Dynamic Range)
- True Day/Night performance
- 18 IR LEDs
- DPC (Defective Pixel Correction) available
- Triple power (12VDC/24VAC/PoE)
- Dual streaming video
- External alarm I/O

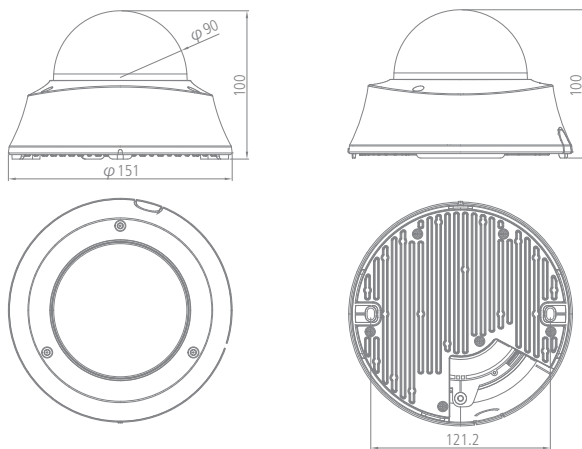


Model Number		ZN-D5DMP58LHE	ZN-D6DMP55LHE	ZN-D5DTMP58LHE	ZN-D6DTMP55LHE
					
Camera	Image Sensor	1/2.8" Sony ExmorR CMOS	1/1.8" Sony ExmorR CMOS	1/2.8" Sony ExmorR CMOS	1/1.8" Sony ExmorR CMOS
	Max. Resolution & frame rate	2048 x 1536 30fps, 1920 x 1080 60fps	2592 x 1944 30fps, 1920 x 1080 60fps	2048 x 1536 30fps, 1920 x 1080 60fps	2592 x 1944 30fps, 1920 x 1080 60fps
	Effective Pixels (H x V)	2064 x 1552 (3.20M)	2609 x 1960 (5.11M)	2064 x 1552 (3.20M)	2609 x 1960 (5.11M)
	Effective Image Size (mm ; H x V, Diag)	5.16 x 3.88, 6.46 mm	6.26 x 4.70, 7.83mm (1/2")	5.16 x 3.88, 6.46 mm	6.26 x 4.70, 7.83mm (1/2")
	Day & Night	Removable IR Cut Filter			
	D->N threshold	SW selectable			
	N->D threshold	SW selectable			
	IR LED Number	18			
	IR LED Lighting	Auto / Off			
	Adaptive IR	ON / OFF			
	Min. illumination	0 lx with IR LED ON			
	WDR	True-WDR			
	White Balance	ATW / MANUAL(PRESET)			
	AGC	Yes			
	S/N ratio	48 dB or more			
	BLC(Back Light Compensation)	Yes			
	Defog	Yes			
	e-Shutter Speed (Manual)	1/4~1/2000			
e-Shutter Speed (Auto)	1/25(30)~1/5000				
Slow Shutter	Off, x2, x4, x8				
3D DNR	Yes (Depends on Codec Configuration)				
Privacy Mask	4 area (8 color)				
Lens	Lens	Motorized with P-iris, f=3~10.5mm, F1.4	Motorized with P-iris, f=3.6~10mm, F1.5	Motorized with P-iris, f=3~10.5mm, F1.4	Motorized with P-iris, f=3.6~10mm, F1.5
	Iris	P-iris			
	Optical Zoom	3.5x	2.7x	3.5x	2.7x
	Field of View (H/V/D)	84 / 61 / 94° (wide), 30 / 23 / 37° (tele)	81 / 60 / 92° (wide), 37 / 27 / 44° (tele)	84 / 61 / 94° (wide), 30 / 23 / 37° (tele)	84 / 61 / 94° (wide), 30 / 23 / 37° (tele)
	Network	10BASE-T, 100BASE-TX, RJ45			
Network	Image Compression	H.264, MJPEG : Image quality: 100 Steps(Q value)			
	Resolution	2048 x 1536, 1920 x 1080(Full HD), 1280 x 1024(SXGA), 1024x768(XGA), 1280 x 720(720p), 640 x 480(VGA), 640x360(HVGAW), 704x480/576(4CIF), 352x240/288(CIF)	2592 x 1944, 2304 x 1296, 2048 x 1536, 1920 x 1080(Full HD), 1280 x 1024(SXGA), 1024x768(XGA), 1280 x 720(720p), 640 x 480(VGA), 640x360(HVGAW), 704x480/576(4CIF), 352x240/288(CIF)	2048 x 1536, 1920 x 1080(Full HD), 1280 x 1024(SXGA), 1024x768(XGA), 1280 x 720(720p), 640 x 480(VGA), 640x360(HVGAW), 704x480/576(4CIF), 352x240/288(CIF)	2592 x 1944, 2304 x 1296, 2048 x 1536, 1920 x 1080(Full HD), 1280 x 1024(SXGA), 1024x768(XGA), 1280 x 720(720p), 640 x 480(VGA), 640x360(HVGAW), 704x480/576(4CIF), 352x240/288(CIF)
	Digital Zoom	2 ~ 10x(Client Software)			
	Protocol	IPv4, HTTP, SMTP, UPnP, DNS, RTSP, DDNS, RTP, TCP, UDP, RTCP, DHCP, ARP, FTP, IGMP, ICMP, NTP			
	Max Connections	Unicast : 10, Multicast: Unlimited			
	Frame Rate	1fps ~ 25fps / 1fps ~ 50fps ;50Hz, 1fps ~ 30fps / 1fps ~ 60fps ;60Hz			
	Web Browser	Internet Explorer 9.0 or above, Firefox, Chrome. Smart Phone (iOS, Android)			
	Security	Password Protection			
	SDK(API)	HTTP based API, ONVIF Profile S			
	VMD, (Video Motion Detection)	User set 4 ROI(Region Of Interest), 30 Step Sensitivity			
ROI	TBD				
Recording	Snapshot (microSD Card)				
Alarm Trigger	VMD, External Alarm input				
Alarm Event	E-mail notification(Snapshot), FTP transfer(Snapshot), External Alarm Out				
Defective Pixel Correction	Yes (On the fly)				
Streaming	Dual Stream				
Tamper Detection	-				
Multi Language	Yes				

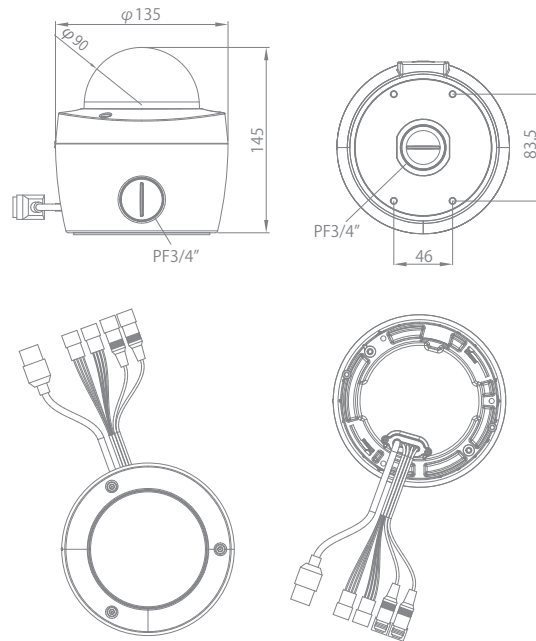
DIMENSIONS (Unit:mm)

Camera Unit

[ZN-D5DMP58LHE, ZN-D6DMP55LHE]

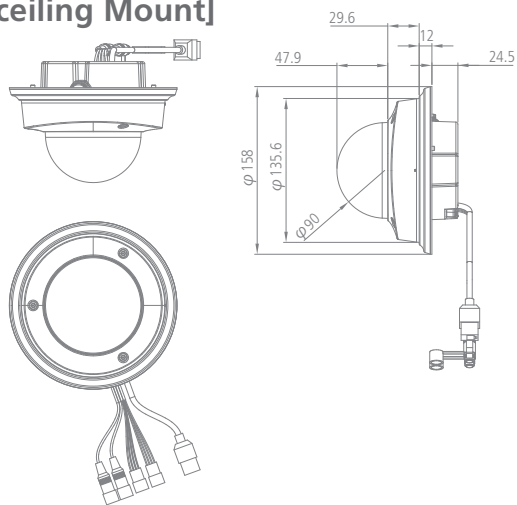


[ZN-D5DTMP58LHE, ZN-D6DTMP55LHE]

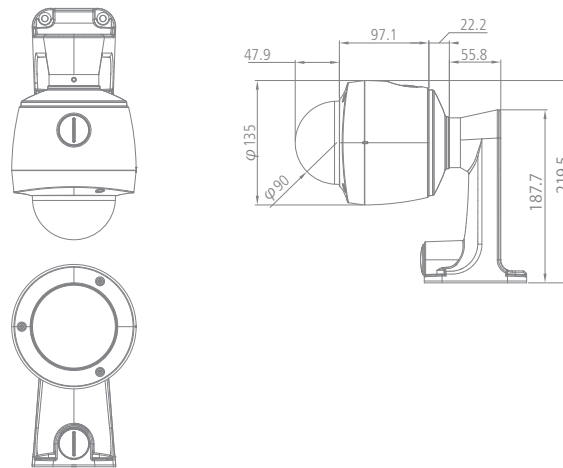


With Bracket (ZN-D5DTMP58LHE, ZN-D6DTMP55LHE)

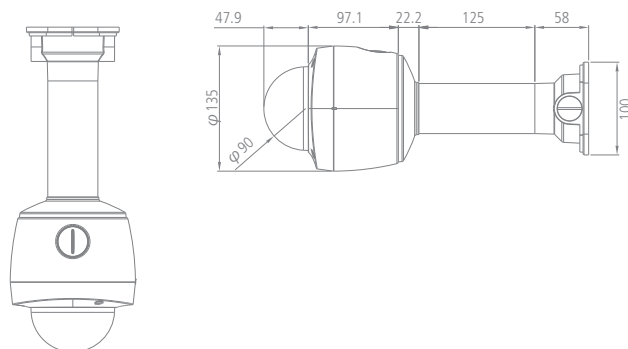
[In-ceiling Mount]



[Wall Mount]



[Pendant Mount]



SPECIFICATION (Power, I/O, Video Signal, Audio and Other)

Model Number		ZN-D5DMP58LHE	ZN-D6DMP55LHE	ZN-D5DTMP58LHE	ZN-D6DTMP55LHE
Power	DC	12VDC			
	AC	24VAC			
	PoE	IEEE 802.3af Class3			
	Power Consumption	710mA @ 12VDC, 8.6W, 570mA @ 24VAC, 8.1W, 160mA @ PoE, 7.7W	730mA @ 12VDC, 8.8W, 600mA @ 24VAC, 8.5W, 160mA @ PoE, 7.7W	830mA @ 12VDC, 9.9W, 830mA @ 24VAC, 12.5W, 242mA @ PoE, 11.6W	850mA @ 12VDC, 10.2W, 880mA @ 24VAC, 13.2W, 250mA @ PoE, 12W
	Heater	-			YES
I/O	microSD Card, Max Memory Size	SD / SDHC, up to 32GB			
	Analog Video Out, (Installation Only)	CVBS Output, Stereo Jack			
	Alarm In	1			
	Alarm Out	1(relay)			
	RS-485	-			
Analog (Installation Only)	Video Signal	NTSC/PAL selectable			
	Monitor Output	Composite Output(BNC), 75 ohm 1Vpp			
	Scanning Frequency	NTSC: (H)15.734kHz, (V)59.94Hz, PAL: (H)15.625 kHz, (V)50 Hz			
Audio	Audio In	1x Line in			
	Audio Out	1x Line out			
	Audio CODEC	G.711 u-law 8kHz			
Others	FAN	-		1	
	Ambient Temperature	0°C ~ 40°C, (32°F~104°F)		-40°C ~ 50°C, (-40°F~122°F)	
	Ambient Humidity	less than 90%, Non-condensing			
	Materials	Poly Carbonate		Aluminum Diecasting	
	Weight	554g		1.21kg	
	Dimensions, (W x H x D)	ø151 X 100(H), ø90(DOME) mm ø5.9 X 3.9(H), ø3.5(DOME) inch		ø135 X 145(H), ø90(Dome) mm ø5.3 X 5.7(H), ø3.5(Dome) inch	
	IK Rating	-		IK10	
	IP Rating	-		IP66	




COMPATIBLE WITH:

Check our website or contact customer service for most updated information.



ACCESSORIES

Bracket

Model	ZNA-CMB3A	ZNA-ICB3A	ZNA-WMB3A
Type	Pendant Mount Bracket	In-ceiling Mount Bracket	Wall Mount Bracket
			



CBC AMERICAS Corp.
Corporate Headquarters
Tel: 1-919-230-8700

West Coast Office
Tel: 1-310-222-8600

Mexico City Office
Tel: +52 55 5280 4660

ganzsecurity.com

©2016 CBC AMERICAS Corp. All rights reserved.