

PFB300C

Ceiling Mount Bracket



Features

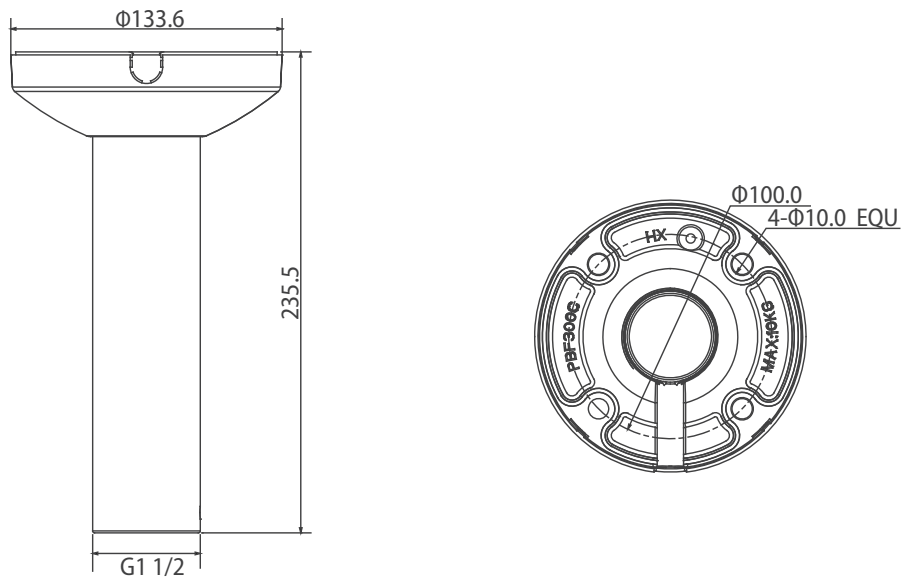
- Material: Aluminum & PC
- Ceiling Mount Bracket
- Neat & Integrated design

Specifications

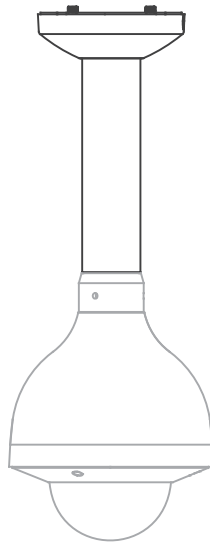
Model	PFB300C
General	
Material	Aluminum & PC
Dimension (W x H x D)	Φ133.6mm x 235.5mm
Pipe Thread	G1 ₁ / 2"
Operating Temperature	-40°C ~60°C
Humidity	0~90% RH
Load Bearing	7.0Kg
Weight	0.75kg
Applicable Model	Please see "Accessory Selection"

PFB300C

Dimensions (mm)



Application



Dahua Technology Co., Ltd.

1199 BinAn Road, Binjiang District, Hangzhou, China

Tel: +86-571-87688883

Fax: +86-571-87688815

Email: overseas@dahuatech.com

www.dahuasecurity.com

*Design and specifications are subject to change without notice.

© 2014 Dahua Technology Co., Ltd.