

Indoor/Outdoor Mounts and Accessories

Honeywell's Performance Series mounts and accessories provide a range of installation options for the Honeywell Performance Series IP cameras and Performance Series HQA cameras, including junction box, wall, pole, and corner mounts.

The mounts provide easy cable routing with no exposed wiring, and the cameras can be installed, adjusted, and tested without repositioning the housing. All of the mounts and accessories are suitable for indoor or outdoor use.

The junction boxes, and pole mount are constructed of die-cast aluminum. The corner mount adapter is made of SECC steel. The HEJB junction box is made of die-cast aluminum and SECC steel. All of the mounts and accessories are powder coated to match the finish of the camera.

Market Opportunities

Honeywell's Performance Series mounts and accessories provide excellent value at an attractive price, featuring simple, clean lines, and rugged construction for a wide range of mounting options.



HQA-BB1
Junction Box



HQA-WK
Wall Mount



HQA-BB2/HQA-BB2G
Junction Box



HQA-WK2/HQA-WK2G
Wall Mounts



HQA-BB3/HQA-BB3G
Junction Boxes



HQA-PM2
Pole Mount



HQA-BB4
Junction Box



HB34S2-CM
Corner Mount



HBS2-BB
Junction Box



HQA-PK
Pendant Mount Cap



HEJB
Junction Box



HQA-RS
Rain Shield Bracket



HQA-IC
In-Ceiling Bracket



HQA-CB
Ceiling Mount Bracket

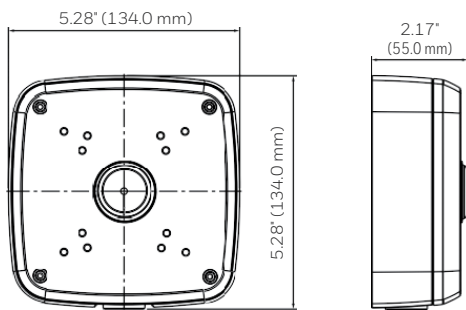
Indoor/Outdoor Mounts and Accessories

FEATURES AND BENEFITS

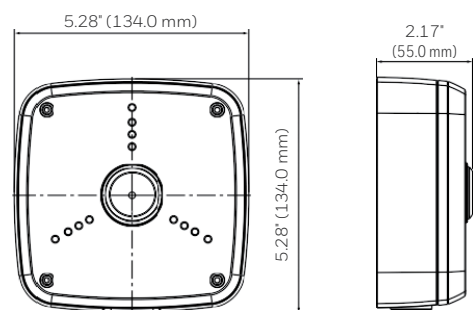
DESCRIPTION	JUNCTION BOX								WALL MOUNT			POLE MOUNT	CORNER MOUNT	CEILING MOUNT		PENDENT MOUNT	RAIN SHEILD
	HQA-BB1	HQA-BB2	HQA-BB2G	HQA-BB3	HQA-BB4	HQA-BB3G	HBS2-BB	HEJB	HQA-WK	HQA-WK2	HQA-WK2G	HQA-PM2	HB34S2-CM	HQA-IC	HQA-CB	HQA-PK	HQA-RS
LOW PROFILE, CONTEMPORARY DESIGN	✓	✓	✓	✓	✓	✓	✓	✓	✓	✓	✓	✓	✓	✓	✓	✓	✓
ECONOMICALLY PRICED	✓	✓	✓	✓	✓	✓	✓	✓	✓	✓	✓	✓	✓	✓	✓	✓	✓
EASY CABLE FEED-THROUGH	✓	✓	✓	✓	✓	✓	✓	✓	✓	✓	✓	✓	✓	✓	✓	✓	✓
DIE-CAST ALUMINUM	✓	✓	✓	✓	✓	✓	✓	✓	✓	✓	✓	✓	✓	✓	✓	✓	✓
SECC STEEL								✓					✓				
OFF-WHITE POWDER FINISH	✓	✓		✓	✓		✓	✓	✓	✓		✓		✓	✓	✓	✓
GREY POWDER FINISH			✓			✓					✓						
INDOOR/OUTDOOR	✓	✓	✓	✓	✓	✓	✓	✓	✓	✓	✓	✓	✓	✓	✓	✓	✓

DIMENSIONS

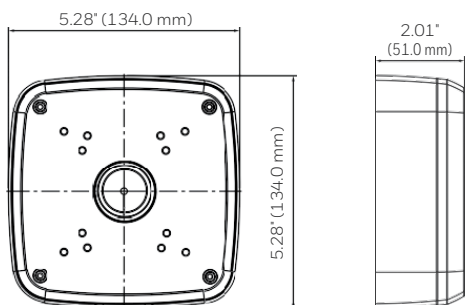
HQA-BB1



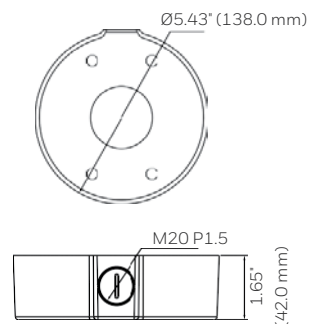
HBS2-BB



HQA-BB2/HQA-BB2G



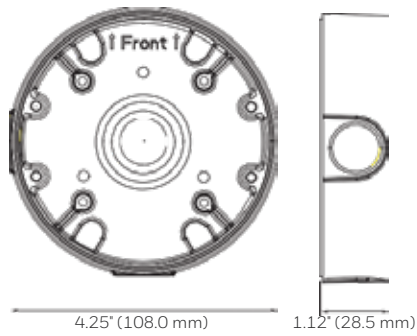
HEJB



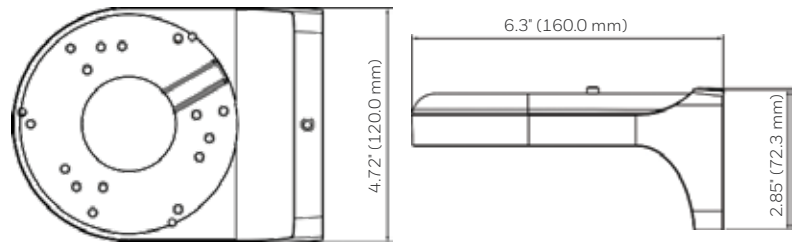
Indoor/Outdoor Mounts and Accessories

DIMENSIONS

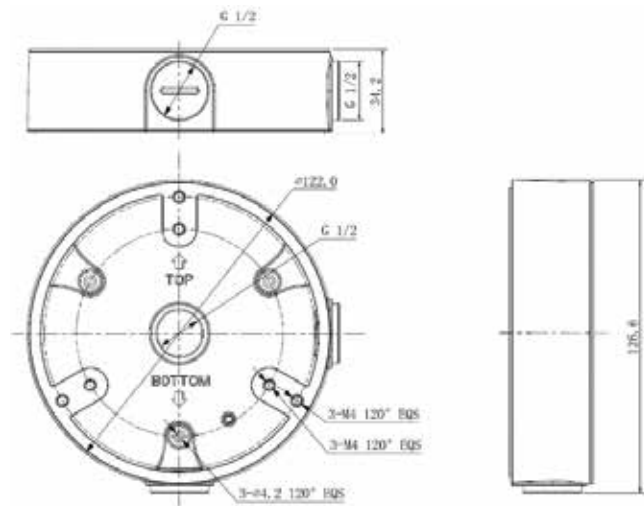
HQA-BB2/HQA-BB2G



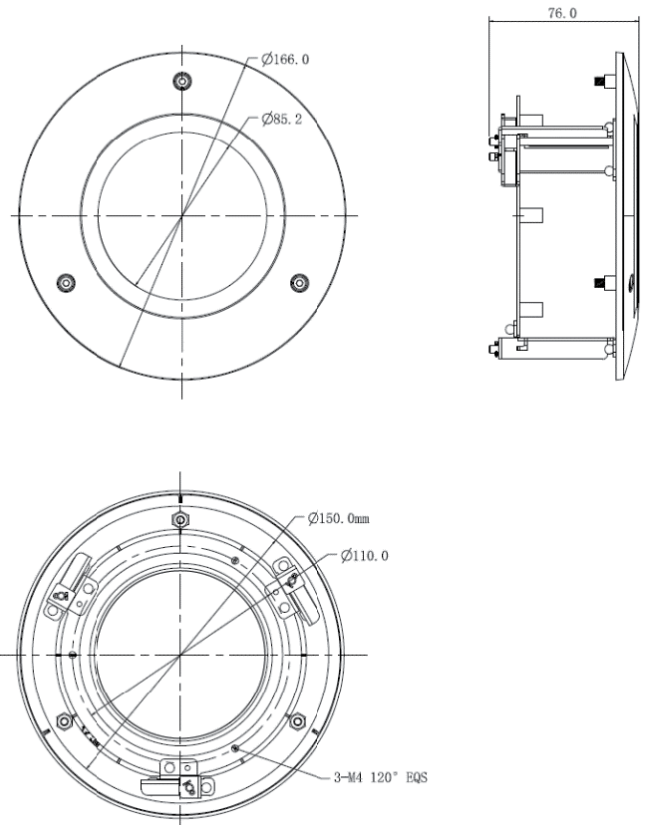
HQA-BB2/HQA-BB2G



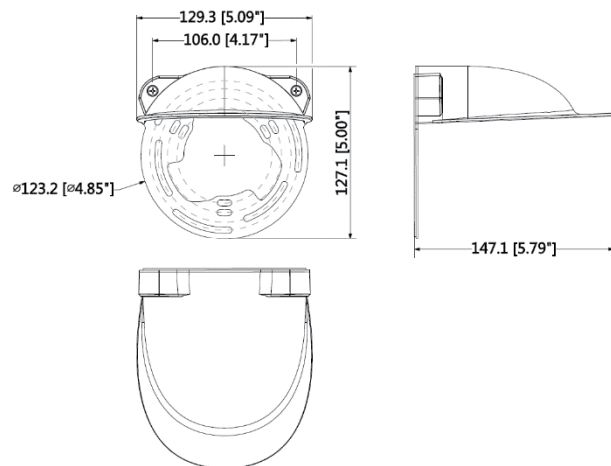
HQA-BB4



HQA-IC



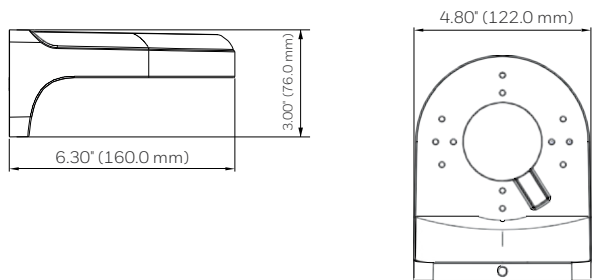
HQA-RS



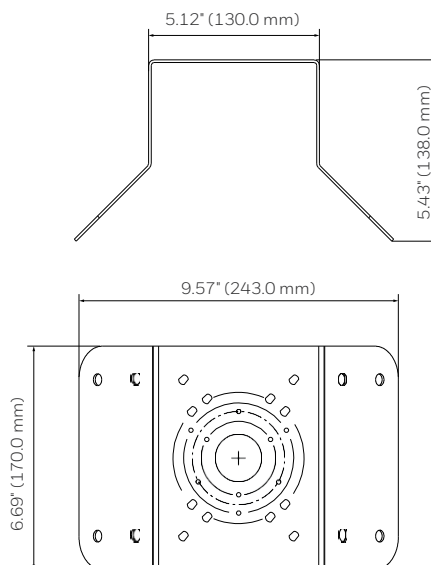
Indoor/Outdoor Mounts and Accessories

DIMENSIONS

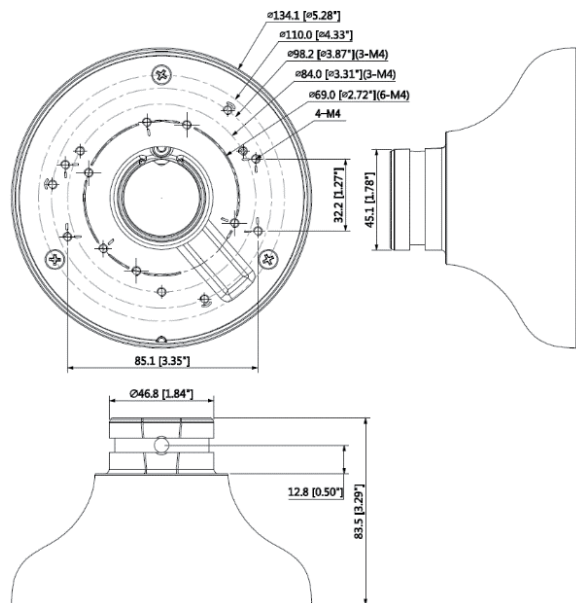
HQA-WK2/HQA-WK2G



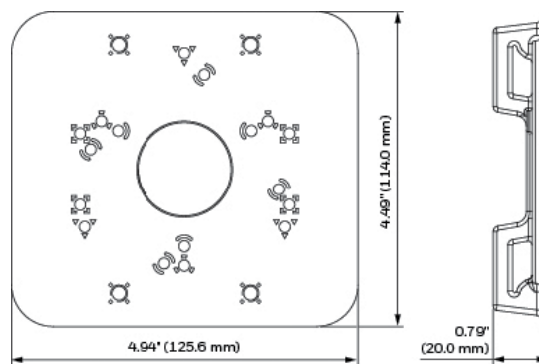
HB34S2-CM



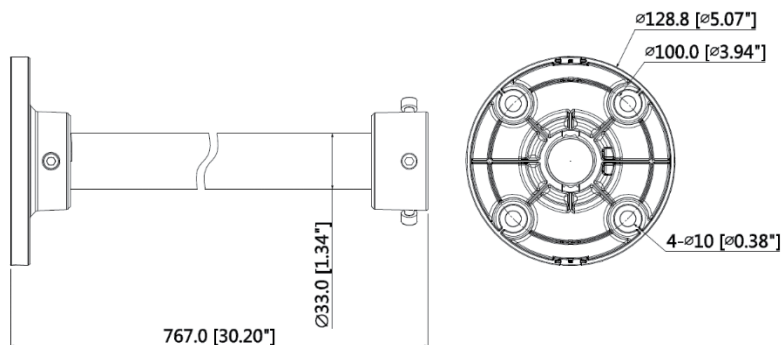
HQA-PK



HQA-PK



HQA-CB



Indoor/Outdoor Mounts and Accessories

COMPATIBLE HQA AND IP CAMERAS

MOUNTS	COMPATIBLE PERFORMANCE HQA CAMERAS	MOUNTS	COMPATIBLE PERFORMANCE IP CAMERAS
HQA-BB1	HB74HD2, HD30HD1, HD30HD2, HB74HD4	HQA-BB1	HBW2PR1, HBW4PR1, HBD8PR1
HQA-BB2/G	HD31HD2, HD73HD1, HD74HD2, HD231HD2, HD274HD2, HD72HD4, HD274HD4	HQA-BB2/G	H4D3PRV2, H4D2PRV3, H4W2PRV2, H4W4PRV2, H4W4PRV3, HEW2PR2, HEW4PR2, H4D8PR1, HFD5PR1, H4W4PER3, H4W4PER2
HQA-BB3/G	HD30HD4	HQA-BB3/G	H2W2PRV3, H2W4PRV3, HEW2PR1, HEW2PRW1, HEW3PR3, HEW4PRW3, HED8PR1
HBS2-BB	HB74HD1, HB75HD1, HB76HD2, HB276HD2, HD29HD1, HD31HD2, HD231HD2, HB276HD4	HBS2-BB	HED1PR3, HED3PR3, HBD1PR1, HBD3PR1, HBD3PR2, HBW2PR2, HBW4PR2, H4W4PER3, H4W4PER2
HEJB	HB74HD1, HD31HD2, HD231HD2	HEJB	HED1PR3, HED3PR3, HBD1PR1, HBD3PR1, HBD3PR2
HQA-PM2*	All HQA cameras (with a compatible junction box)	HQA-PM2*	HED8PR1, HBD8PR1, H4D8PR1, HFD5PR1, HED2PER3, H4W4PER3, HEW4PER3, H4W4PER2 (with a compatible junction box)
HB34S2-CM*	All HQA cameras (with a compatible junction box)	HB34S2-CM	H2W2PRV3, H2W4PRV3, H4W2PRV2, H4W4PRV2, H4W4PRV3, HBW2PR1, HBW4PR1, HBW2PR2, HBW4PR2, HEW2PR1, HEW2PRW1, HEW2PR2, HEW4PR2, HEW4PR3, HEW4PRW3, HED8PR1, HBD8PR1, H4D8PR1, H4D3PRV2, H4D3PRV3, HBD1PR1, HBD3PR1, HBD3PR2, HED1PR3, HED3PR3, HED2PER3, H4W4PER3, HEW4PER3, H4W4PER2 (with a compatible junction box)
HQA-WK	HD29HD1, HD31HD2, HD73HD1, HD74HD2, HD231HD2, HD274HD2, HD274HD4, HD72HD4, H4D42HD8, HFD40HD4	HQA-WK	HED1PR3, HED3PR3, H4D3PRV2, H4D3PRV3, H4W2PRV2, H4W4PRV2, H4W4PRV3, HEW2PR2, HEW4PR2, H4D8PR1, HFD5PR1, HED2PER3, HEW4PER3, H4W4PER3, H4W4PER2
HQA-WK2/G	HD30HD1, HD30HD2, HD30HD4	HQA-WK2/G	H2W2PRV3, H2W4PRV3, HEW2PR1, HEW2PRW1, HEW4PR3, HEW4PRW3, HED8PR1, HED2PER3, HEW4PER3
HQA-BB4	HD73HD1, HD41XD2, HD274HD2, HD74HD2, HD42XD2, HB276HD4, HD231HD2, HD31HD2, HE42XD2, HE42XD2G, H4D42HD8	HQA-BB4	H4D3PRV2, H4W4PRV2, H4W2PRV2, H4W4PER2, HED1PR3, HED3PR3, HEW4PR2, HEW2PR2, HED2PER3, HEW4PER3
HQA-IC	HD73HD1, HD41XD2, HD274HD2, HD74HD2, HD42XD2, HB276HD4, H4D42HD8	HQA-IC	H4D3PRV2, H4W4PRV2, H4W2PRV2, H4W4PER2
HQA-RS	HD30XD2, HD72HD4, HD73HD1, HD41XD2, H4D42HD8	HQA-RS	H4D3PRV3, H4D3PRV2, H2W4PRV3, H2W2PRV3, H4W4PRV3, H4W4PRV2, H4W2PRV2, H4D8PR1, H4W4PER3, H4W4PER2
HQA-PK*	HD30XD2, HD72HD4, HD73HD1, HD41XD2, HD274HD2, HD74HD2, HD42XD2, HB276HD4, HD30HD1, HD30HD2, HD29HD1, HE41XD2, HE30XD2, HE30XD2G, HD30HD4, HD231HD2, H4D42HD8HD31HD2, HE42XD2, HE42XD2G, H4D42HD8 (with compatible HQA-CB)	HQA-PK*	H4D3PRV3, H4D3PRV2, H2W4PRV3, H2W2PRV3, H4W4PRV3, H4W4PRV2, H4W2PRV2, H4D8PR1, H4W4PER3, H4W4PER2, HED1PR3, HED3PR3, HEW4PR3, HEW2PR1, HEW4PRW3, HEW2PRW1, HEW4PR2, HEW2PR2, HED8PR1, HED2PER3, HEW4PER3 (with compatible HQA-CB)
HQA-CB*	HD30XD2, HD72HD4, HD73HD1, HD41XD2, HD274HD2, HD74HD2, HD42XD2, HB276HD4, HD30HD1, HD30HD2, HD29HD1, HE41XD2, HE30XD2, HE30XD2G, HD30HD4, HD231HD2, HD31HD2, HE42XD2, HE42XD2G, H4D42HD8 (with compatible HQA-PK)	HQA-CB*	H4D3PRV3, H4D3PRV2, H2W4PRV3, H2W2PRV3, H4W4PRV3, H4W4PRV2, H4W2PRV2, H4D8PR1, H4W4PER3, H4W4PER2, HED1PR3, HED3PR3, HEW4PR3, HEW2PR1, HEW4PRW3, HEW2PRW1, HEW4PR2, HEW2PR2, HED8PR1, HED2PER3, HEW4PER3 (with compatible HQA-PK)

Indoor/Outdoor Mounts and Accessories

SPECIFICATIONS

RECOMMENDED RECORDERS			
MODEL NO.	UNIT WEIGHT	CONSTRUCTION	DIMENSIONS
HQA-BB1	1.1 lb (0.5 kg)	Die-cast aluminum	5.28 × 5.28 × 2.17 in. (134.0 × 134.0 × 55.0 mm)
HQA-BB2/HQA-BB2G	1.32 lb (0.6 kg)	Die-cast aluminum	5.28 × 5.28 × 2.01 in. (134.0 × 134.0 × 51.0 mm)
HQA-BB3/HQA-BB3G	1.08 lb (0.49 kg)	Die-cast aluminum	6.30 × 4.80 × 3.00 in. (160.0 × 122.0 × 76.0 mm)
HBS2-BB	1.1 lb (0.5 kg)	Die-cast aluminum	5.28 × 5.28 × 2.17 in. (134.0 × 134.0 × 55.0 mm)
HEJB	0.84 lb (0.38 kg)	Die-cast aluminum and SECC steel	ø 5.43 × 1.65 in. (ø 138.0 × 42.0 mm)
HQA-PM2 (REQUIRES A COMPATIBLE JUNCTION BOX)	0.6 lb (0.27 kg)	Die-cast aluminum	4.94 × 4.49 × 0.79 in. (125.6 × 114.0 × 20.0 mm)
HB34S2-CM (REQUIRES A COMPATIBLE JUNCTION BOX)	3.75 lb (1.7 kg)	SECC steel	9.57 × 6.69 × 5.43 in. (243.0 × 170.0 × 138.0 mm)
HQA-WK	2.2 lb (1.0 kg)	Die-cast aluminum and ABS	4.72 × 2.85 × 6.3 in. (120.0 × 72.3 × 160.0 mm)
HQA-WK2/HQA-WK2G	0.35 lb (0.16 kg)	Die-cast aluminum	ø 4.25 × 1.12 in. (ø 108.0 × 28.5 mm)
HQA-BB4	0.53 lb (0.24 kg)	Aluminum	ø 4.80 × 1.35 in. (ø 122.0 × 34.2 mm)
HQA-IC	0.71 lb (0.32 kg)	SECC & PC	ø 6.54 × 2.98 in. (ø 166.0 × 75.8 mm)
HQA-RS	0.55 lb (0.25 kg)	Aluminum & SGCC	5.09 × 5 × 5.79 in. (129.3 × 127 × 147 mm)
HQA-PK	0.64 lb (0.29 kg)	Aluminum	ø 5.28 × 3.29 in. (ø 134.1 × 83.5 mm)
HQA-CB	1.98 lb (0.9 kg)	Aluminum	ø 5.07 × 30.2 in. (ø 128.8 × 767.0 mm)

ORDERING

HQA-BB1	Junction Box, Off-White	H3W2GR1	Pole Mount Adapter, Off-White
HQA-BB2	Junction Box, Off-White	HB34S2-CM*	Corner Mount Adapter, Off-White
HQA-BB2G	Junction Box, Grey	HQA-WK	Wall Mount, Off-White
HQA-BB3	Junction Box, Off-White	HQA-WK2	Wall Mount, Off-White
HQA-BB3G	Junction Box, Grey	HQA-WK2G	Wall Mount, Grey
HBS2-BB	Junction Box, Off-White	HQA-RS	Rain Shield Bracket, Off-White
HEJB	Junction Box, Off-White	HQA-PK**	Pendant Mount Cap, Off-White
HQA-BB4	Junction Box, Off-White	HQA-CB**	Ceiling Mount Bracket, Off-White
HQA-IC	In-Ceiling Bracket, Off-White		

* A compatible junction box is required when installing to either the HQA-PM pole mount, the HQA-PM2 pole mount or the HB34S2-CM corner mount.

** HQA-PK and HQA-CB are compatible with each other.

For more information

www.honeywell.com/security

Honeywell Security and Fire

2700 Blankenbaker Pkwy, Suite 150

Louisville, KY 40299

1.800.323.4576

www.honeywell.com

ONVIF and the ONVIF logo are trademarks of ONVIF Inc. Honeywell reserves the right, without notification, to make changes in product design or specifications.

L/HQADD/D | 06/18
© 2018 Honeywell International Inc.

Honeywell