

# Ganz Genstar IP Dome Serie



Whether equipped with a varifocal lens with 3-12mm or a fixed lens with 3.6mm: Both IP Dome are conceived and designed for outdoor use. Furthermore, they also feature IR LEDs and ensure clear visibility even in complete darkness. Various image-enhancing functions access especially in difficult ambient conditions.

- H.264 & MJPEG
- 3.6mm fix / 3.0mm - 12mm vario
- DWDR
- 1/3" CMOS
- Full-HD with up to 30 Frames / Sec
- Integrated IR-LEDs
- 4 Megapixel

## Order data

Order number	Product description
ZN8-DANTVF59L	H.264 4 Megapixel, 3.0mm - 12mm, mechanical day/nightswitching, max. 30fps, IR-LEDs 10-20m, DWDR, AGC, DIS, POI, 12VDC / 24VAC / PoE, 111.5mm (H) x 130mm (D), 815g
ZN8-MANTFN4L	H.264 4 Megapixel, 3.6mm, mechanical day/nightswitching, max. 30fps, IR-LEDs 6-7m, DWDR, AGC, DIS, POI, 12VDC / PoE, 53mm (H) x 100mm (D), 650g

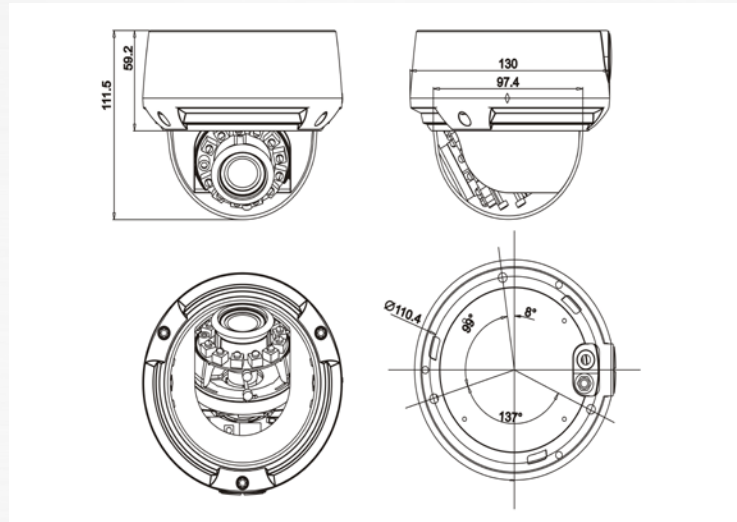
# Ganz Genstar IP Dome Serie



Technical specifications	ZN8-DANTVF59L	ZN8-MANTFN4L
Image sensor	1/3" CMOS	
Compression format	H.264, MJPEG	
Triplestream	Yes, configurable	
Resolution options	2688*1520/2560*1440/15fps, 2304*1296/20fps, 1920x1080/30fps	
Video framerate	max. 30fps Full-HD	
Lens	3.0mm - 12mm, 87° - 35° FoV	3.6mm, 75° FoV
Day/night switching	Mechanical	
Minimum illumination	0.01 Lux (color, AGC on), 0 Lux (IR on)	0.05 Lux (color, AGC on), 0 Lux (IR on)
IR	Yes (Smart IR), 10-20m	Yes, 6-7m
DNR	Yes, 2/3DNR	
WDR	Yes, DWDR	
HLC	Yes	
Network interface	10 / 100 Base-T	
Protocols	HTTP, HTTPS, TCP/IP, UDP/IP, RTSP, DHCP, NTP, PPoE, Unicast / Multicast, ONVIF	
DIS	Yes	
ROI	Yes	
Interfaces	RJ-45, BNC	RJ-45
Micro SD-Card	Yes (up to 64GB, optional)	
Operating voltage	PoE / 12VDC	
Power consumption	5W max.	5W max.
Protection class	IP66	IP65
Operating environment	-20°C - 60°C	-30°C - 55°C
Dimensions (H x Ø)	112mm x 130mm	53mm x 100mm
Weight	900g	650g

# Ganz Genstar IP Dome Serie

## ZN8-DANTVF59L



## ZN8-MANTFN4L

