

The GEBV Series are 2MP 1080p 4-in-1 (AHD,TVI,CVI and CVBS) eyeball cameras equipped with a 2.8-12mm varifocal lens. The cameras can transmit up to 300m in distance when using the AHD Mode and are available in a White or Grey finish.



GEBV

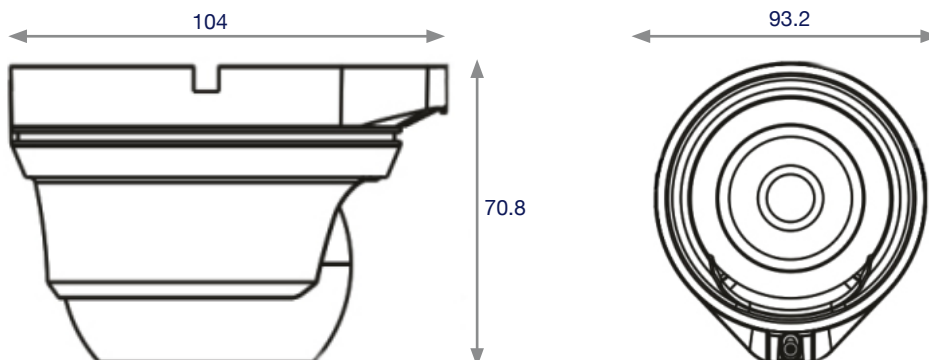


GEBVG

Key Features

- 2MP 1080p real time image
- 2.8-12mm lens
- Multi-technology (AHD,TVI,CVI and CVBS) output
- Up to 300m transmission distance
- Low illumination
- Auto white balance and electronic shutter
- 2DNR and DWDR
- OSD available from Genie AHD DVR using control over coax
- IP66 ingress protection

Dimensions (mm)



Specification

Model Number	GEBV	GEBVG
Camera		
Image Sensor	1/2.7" 2MP CMOS Sensor	
Image Size	1920 x 1080	
Image System	PAL / NTSC	
Resolution	2MP	
Electronic Shutter	Auto / Manual	
Minimum Illumination	Colour: 0.1 Lux @ (F1.2 AGC ON) B&W: 0.01 Lux @ (F1.2 AGC ON)	
Lens	2.8-12 mm	
S / N Ratio	≥41dB (AGC OFF)	
Frame Rate	30fps @ 1080p	
Video Output	AHD / TVI / CVI / CVBS	
Video Output Interface	BNC x 1	
Functions		
IR Distance	Up to 40m	
IR LED	3 Pcs IR Array	
Day & Night	ICR	
AGC	Auto	
White Balance	Auto / Manual	
Others		
Ingress Protection	IP66	
Power Supply	DC12V (± 10%)	
Power Consumption	IR On : <4W	
Working Environment	-20°C ~ 50°C, Humidity 90 % or less (Non-Condensing)	
Dimensions	70.8 x 104 mm	
Weight	554g	

Bioaccess Sales Ltd. reserves the right to change specifications without notice.
Please contact your representative to confirm current specifications.



GEBVwith GEBVJB



GEBVG with GEBVJBG

Accessories



GEBVJB

Junction Box for GEBV and GEBVAF
Series Cameras - White



GEBVJBG

Junction Box for GEBV and GEBVAF
Series Cameras - Grey