

## Datasheet

### RECEIVERS/ RX26-XPL4V - 4-Relay Receiver

#### Product description

The RX26-XPL4V allows the easy operation and programming of the RX26-XPL whilst increasing the memory to 500 transmitters. The internal data can be saved and restored to/from an external memory (MEM-XPL).

Each relay can be separately configured for pulse, timed or latch modes, with a maximum contact rating of 24VA at 60V. Security is upheld by the use of Keeloq rolling code decryption.

The RX26-XPL4 also comes in 12/24 Vac/dc version (RX26-XPL4P). An input is available for the [SEA433](#) tuned aerial.



#### Key features


- 4 relays
- Up to 500 transmitter memory capacity
- White housing, black lid
- Keeloq® Hopping Code

 *Certification*

 *DEEE*

 *Certification*

 *IP55*

 *-20°C to 70°C*

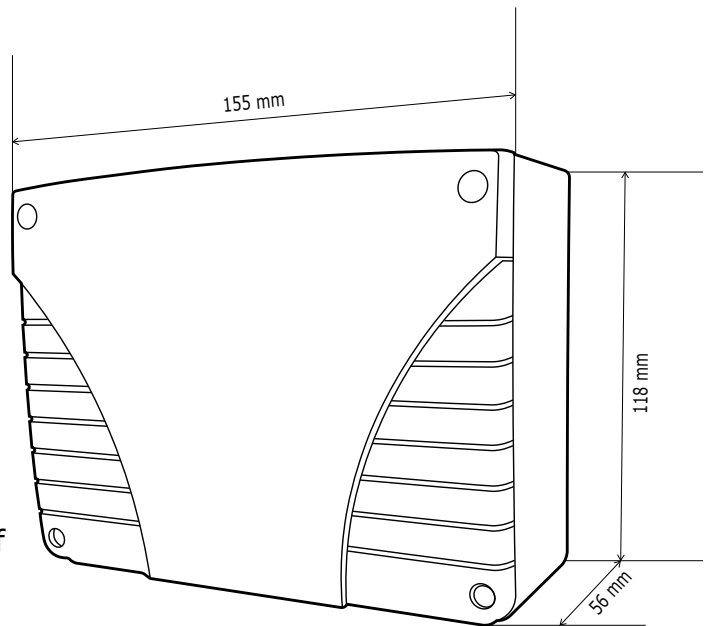
All the information contained within this document (pictures, drawing, features, dimensions, specifications), could be perceptibly different and can be changed without prior notice. - March 2020 - CDVI\_RX26-XPL4V\_DS\_01\_EN\_A4\_C

## Product Information

**Receiver type:** Superheterodyne  
**Material:** Polycarbonate housing  
**Frequency:** 433.92MHz  
**Modulation:** AM/ASK  
**Encoding:** Keeloq® Hopping code  
**Number of code combinations:** 2exp64  
**Memory capacity:** 500 transmitters

## Relays

**Number of relays:** 4  
**Contacts:** 4 x NO/NC  
**Operating mode:** Pulse, step, timed, on-off  
**Delay:** 1sec. to 23h59min



## Electrical specifications

**Power supply:** 230 Vac - 50 Hz  
**Max power on relay output:** 16 A  
**Consumption:** 20 mA @ 230 Vac