



2MP WDR Starlight IR Bullet F1.2 Lens



UIPC2222ER5-DUPF40-C

KEY FEATURES

Optics

- Starlight illumination
- Day/night functionality
- Smart IR , up to 50 m (164 ft) IR distance
- IR anti-reflection window to increase the infrared transmittance
- 3D DNR (Digital Noise Reduction)

**50M IR
SMART IR**



Compression

- H.265, H.264, MJPEG
- Embedded smart algorithm
- Triple streams
- ROI (Region of Interest)
- 9:16 corridor format

Structure

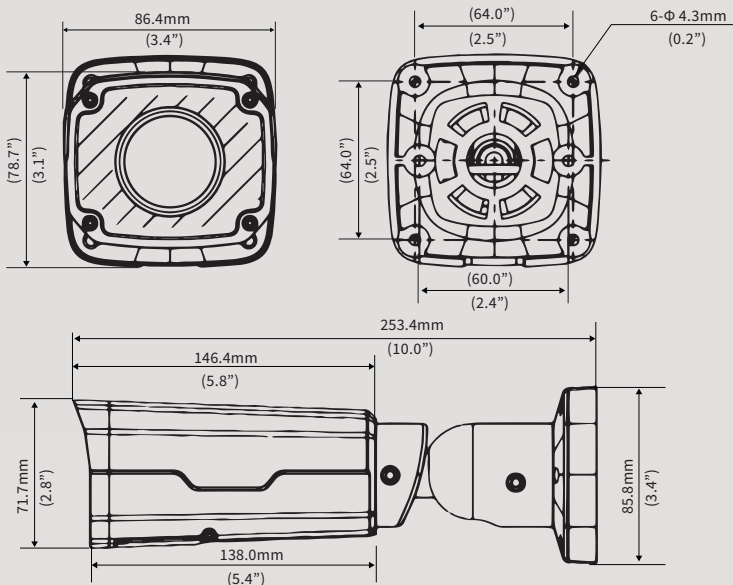
- Wide temperature range: -35°C to 60°C (-31°F to 140°F)
- Wide voltage range of ±25%
- IK10 vandal resistant
- IP67

Network

- ONVIF Conformance



DIMENSIONS



BRACKETS



Pole Mount Bracket
Code: UTR-UP06-IN



Junction Box
Code: UTR-JB07-IN

“Delivers crystal clear images!”



SPECIFICATION



Camera	UIPC2222ER5-DUPF40-C
Sensor	1/2.8", 2.0 megapixel, progressive scan CMOS
Lens	4.0mm@F1.2
Angle of view(H)	76.6°
Shutter	Auto/Manual, 1/6~1/100000 s
Min. Illumination	Colour: 0.0005Lux (F1.2, AGC ON) 0 Lux with IR on
IR Range	Up to 50m (164 ft) IR range
Day/Night	IR-cut filter with auto switch (ICR)
S/N	>52dB
WDR	Optical WDR (up to 120 dB)
Noise Reduction	2D/3D
Video	
Max. Resolution	1920×1080
Video Compression	H.265, H.264, MJPEG
Frame Rate	1080P (1920*1080): Max. 30 fps; 720P (1280*720): Max. 30 fps; D1 (720*576): Max. 8 fps
Video Streaming	Triple
9:16 Corridor Mode	Supported
ROI	Supported
HLC	Supported
Evaluative Metering	Supported
OSD	Up to 8 OSDs
Privacy Mask	Up to 8 areas
Smart	
Behavior Detection	Intrusion, crossing line, motion detection
Intelligent Identification	Face detection, Defocus, Scene Change
Statistical Analysis	People counting
Storage	
Edge Storage	Micro SD, up to 128 GB
Network	
Protocols	L2TP, IPv4, IGMP, ICMP, ARP, TCP, UDP, DHCP, PPPoE, RTP, RTSP, RTCP, DNS, DDNS, NTP, FTP, UPnP, HTTP, HTTPS, SMTP, 802.1x
Compatible Integration	ONVIF, API
Interface	
Network	1 RJ45 10M/100M Base-TX Ethernet
General	
Power	12 V DC, or PoE (IEEE802.3 af) Power consumption: Max 9 W
Dimensions (L × W × H)	253.4 × 86 × 71.7 mm (9.98" × 3.4" × 2.8")
Weight	0.58kg (1.28lb)
Working Environment	-35°C ~ +60°C (-31°F ~ 140°F), Humidity ≤ 95% RH(non-condensing)
Ingress Protection	IP67



ULTRA STARLIGHT

"Unbeatable Lowlight
Performance – stays in colour"

