

Ganz Lite LED Monitor



- 1280 (H) x 1024 (V)
- High Contrast Ratio
- HDMI, BNC & VGA
- Slim Design
- Built-in Speakers
- Multi-Language OSD
- 17" / 19" Models

Order data

Order number	Product description
LME17E-III	17" LED Monitor, 1280 x 1024, HDMI, BNC, VGA, Speakers, 2.7kg
LME17E-III	19" LED Monitor, 1280 x 1024, HDMI, BNC, VGA, Speakers, 3.1kg

Ganz Lite LED Monitor



LME17E-III

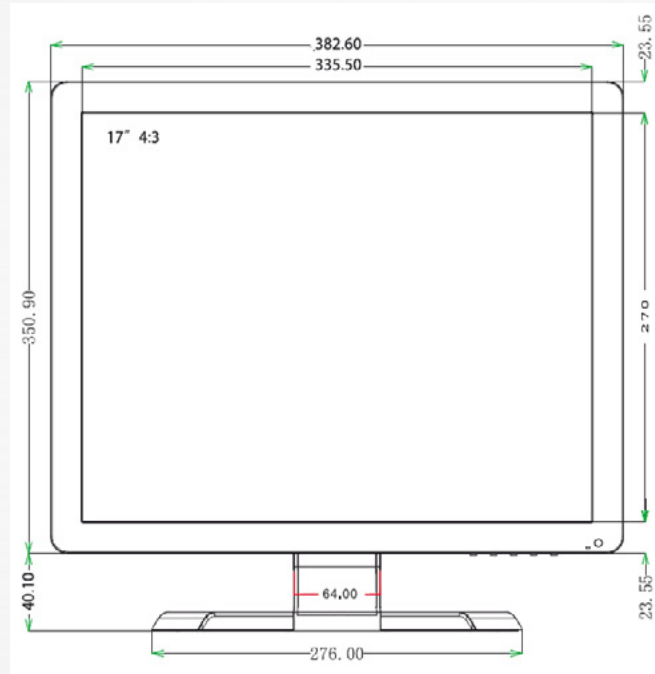


LME19E-III

Technical specifications	LME17E-III	LME19E-III
Panel Type	17" (4:3) LED Monitor	19" (4:3) LED Monitor
Case Type	Plastic	
Max Resolution	1280 (H) x1024 (V)	
Pixel Pitch	0.264 (H) x 0.264(V) mm	0.294 (H) x 0.294(V) mm
Bezel Thickness	L / R / U / D: 23.55 mm	
Active Display area	337.92(H) x 270.34(V) mm	376.32(H) x 301.056(V) mm
Contrast ratio	1000:1	
Brightness	250 cd/m2	300 cd/m2
Response time	5ms	
Viewing Angle	170 / 160	
Display Colours	16.7 M	
Video Synchronization	Yes	
PC Compatible Frequency	30-60KHz(H) / 56-75Hz(V) Max	
Aspect Ratio	4:3	
VGA Auto Frequency Correction	Yes	
Speakers	2 x 2W	
Number of Speakers	2	
Sound Demodulation	Audio, Stereo	
Mute	Yes	
Work Temperature / Humidity	Temperature: -10 to +55°C Humidity: 5%~90%	
Volume +/- Power ON/OFF	Yes	
Video Interface	BNC (CVBS) in x 1, BNC (CVBS) out, HDMI in x 1, VGA in x 1	
Audio	PC Audio in	
Power Interface	DC12V in x 1	
Termination	75 Ohm	
Certification	CE, FCC, ROHS	
Vesa Standard Mount	75mm x 75mm	
Stand Type	Desktop	
Colour	Black	
Button Position	Right Bottom, front of case	
Packing Dimension	450 x 440 x 435 mm	500 x 440 x 470 mm
Weight	Net: 2.7 Kgs Gross: 3.6 Kgs	Net: 3.1 Kgs Gross: 4.15 Kgs
Power Supply	12 VDC / 3 A	
Voltage Power	110 / 240 VAC	
Power Consumption	22watt (Max)	25watt (Max)
OSD Control	Contrast, Brightness, Colour Temperature, Sharpness, Prevent-Picture-Burn-In, Sound volume, OSD, position, OSD transparency, Background colour, Factory reset	
OSD Language	English, French, German, Spanish, Italian	
Accessories	HDMI cable, PSU, Remote control, User Manual	

Dimensions

LME17E-III



LME19E-III

