

6200
SERIES

6296

6200 Series 3.5" videophone with handset
for the IPure system



Compact, minimalist design and 3.5" TFT LCD
monitor with resistive touch screen and handset.



3.5" TFT LCD monitor

with high resolution and resistive
touch and OSD menu

4 freely configurable buttons

Service signalling LEDs

- Privacy ON
- Lost call

Intercommunication function

through GUI

PoE technology

Allows power supply via UTP cable &
PoE switch

Adjustments

Call tone volume and brightness

Surface or desktop installation

Can be
mounted
onto a table
top using a
desktop kit



 **VIDEX**[®]

THE POWER TO SECURE

6200 Series 3.5" videophone with handset for the IPure system

TFT high-resolution LCD monitor, OSD resistive touch screen, 4 buttons configurable for functions: door open, intercom call, auto start, camera switching, timed privacy service. 12Vdc or PoE power supply.

2 LEDs for services: privacy, missed call.

2 inputs / 2 outputs.

Adjustment of call volume (3 levels), number of rings, brightness, contrast and saturation.

Wall mounted (or via desktop kit), satin white finish.



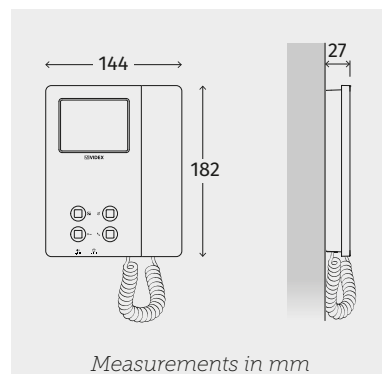
Technical characteristics

Display	3.5" Hi-Res colour LCD TFT touch screen	
Handset/Hands free	Handset	
Buttons No.	4	
Buttons/Services¹ (all buttons programmable)	Service Camera recall Door-open/Intercommunicating call Privacy	
Privacy	Yes, timed	
LEDs²	Lost call Privacy ON	
Memory board opt.	Yes, standard	
Adjustments	Call tone volume Brightness	
Programmable features	Service buttons	Intercommunicating call
	Privacy duration	Melody
	Number of rings	Door panels phonebook
RJ-45 plug	Yes	
Inputs	2	
Outputs	2	
Power supply	12Vdc or PoE standard IEEE 802.3af Class 0	
Mounting	Surface (wall) or via desktop kit	
Finishes	Satin white	
Desktop kit	Art. 62932	

¹ Some buttons are used for multiple functions.

² The operation of some LED's and the functions described may require additional cabling.

Accessories



Videx Cloudnected client

Videx CloudNected Client is a cross-platform application for smartphones and tablets that allows the user to interface with Videx IP products easily.

Register your account in the app and connect Videx IP devices by simply acquiring the device's QR code.

You can receive incoming calls from your door panel wherever you are, without needing to keep the application open.

Call the connected devices and operate gates and doors even when you are away from home.

Note: this application does not replace the use of traditional monitors; the application performances are subject to the energy saving mode of the smartphone and to connectivity.



VIDEX SECURITY LTD.

Main UK Office

1 Osprey, Trinity Park, Trinity Way,
London, E4 8TD
tel: 0370 300 1240 - fax: 020 8523 5825

www.videxuk.com

Northern UK Office

Unit 4-7 Chillingham Ind. Estate, Chapman Street,
Newcastle Upon Tyne, NE6 2XX
tel: 0370 300 1240 - fax: 0191 224 1559

