

6200
SERIES

6256

6200 Series 3.5" videophone with handset for 6 wire videokits (VK4K, VK8K and CVR4KV series)



6256

6256/MV

The 6256 colour videophone is a surface mount videophone incorporating a 3.5" hi-res full colour active matrix LCD screen in a satin white finish.

3.5" TFT LCD videophone

6200 series videophone with high resolution 3.5" screen and handset.

4 push buttons

Four push buttons for: camera recall, lock release & intercommunication call, privacy ON/OFF and spare service button.

Indication LEDs

2 LEDs: one to indicate when the privacy function is activated and one for when the door is open.

Call tone switch

3 level call tone volume switch (low, medium and high).

Adjustments

Contrast adjustment POT, hue adjustment POT and brightness controls.

Can be mounted onto a table top using a desktop kit



3.5" TFT LCD



DESK KIT



MEMORY VIDEO OPT.

VIDEX

THE POWER TO SECURE

6200 Series 3.5" videophone with handset for 6 wire videokits

- 6200 series videophone with 3.5" LCD screen for use with VK4K series, VK8K series and CVR4KV series 6 wire (balanced video) videokits*.
- Programmable number of rings and privacy duration time.
- 2 LEDs for privacy ON/OFF and door open.
- 4 push buttons: camera recall, door open & intercommunication call, privacy ON/OFF and spare service button.
- Call tone volume adjustment (3 levels), picture contrast, hue and brightness controls.
- Wall mounted (or via desktop kit), satin white finish.
- Memory videophone option available capable of storing up to 100 pictures with corresponding recorded date & time.

(* for 1 and 2 button videokits only)



Accessories include a desk kit for an easy and practical functional alternative to a wall mount solution.

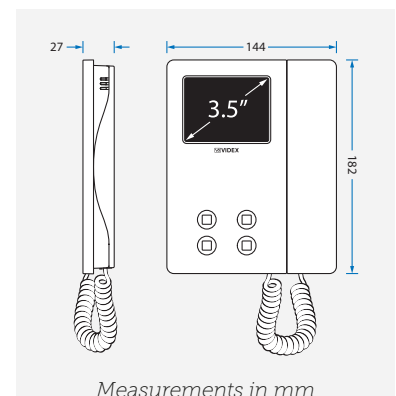
Designed for low-rise private developments and individual houses where an attractive low cost functional videophone is desirable.

Technical characteristics

Display	3.5" Hi-Res colour LCD TFT screen
Handset/Handsfree	Handset
Number of buttons and function	4, Camera recall, door-open & Intercommunicating call, privacy ON/OFF button and spare service button
Privacy	Yes, timed
LEDs	2: Privacy ON/OFF and door open
Memory board option	Yes, up to 100 pictures with recorded date & time (6256/MV)
Adjustments	3 level call tone volume switch (low, medium and high). Contrast and hue adjustment POTs and brightness controls
Programmable features	Number of rings (2, 4, 6 or 8 rings), privacy duration time (15 mins, 1 hour, 4 hours or 8 hours)
Inputs	Local bell and door open LED
Video signal	Balanced video (V1/V2)
Power supply input	24Vac (supplied by 850K PSU)
Power consumption	Standby 50mA During operation 200mA (max.)
Working temperature	-20°/+60°C
Mounting	Surface (wall) or via desktop kit
Finishes	Satin white
Desktop kit	62931

Accessories

**62931 Desktop kit
(inc. 895 wall socket)**



VIDEX SECURITY LTD.

Main UK Office

1 Osprey, Trinity Park, Trinity Way,
London, E4 8TD
tel: 0370 300 1240

www.videxuk.com

Northern UK Office

Unit 4-7 Chillingham Ind. Estate, Chapman Street,
Newcastle Upon Tyne, NE6 2XX
tel: 0370 300 1240

sales@videxuk.com

