

INNOVATIVE SECURITY TECHNOLOGY



Tel: +44(0) 288 639 0 693

www.aesglobalonline.com

DECT 603

DECT Wireless Intercom

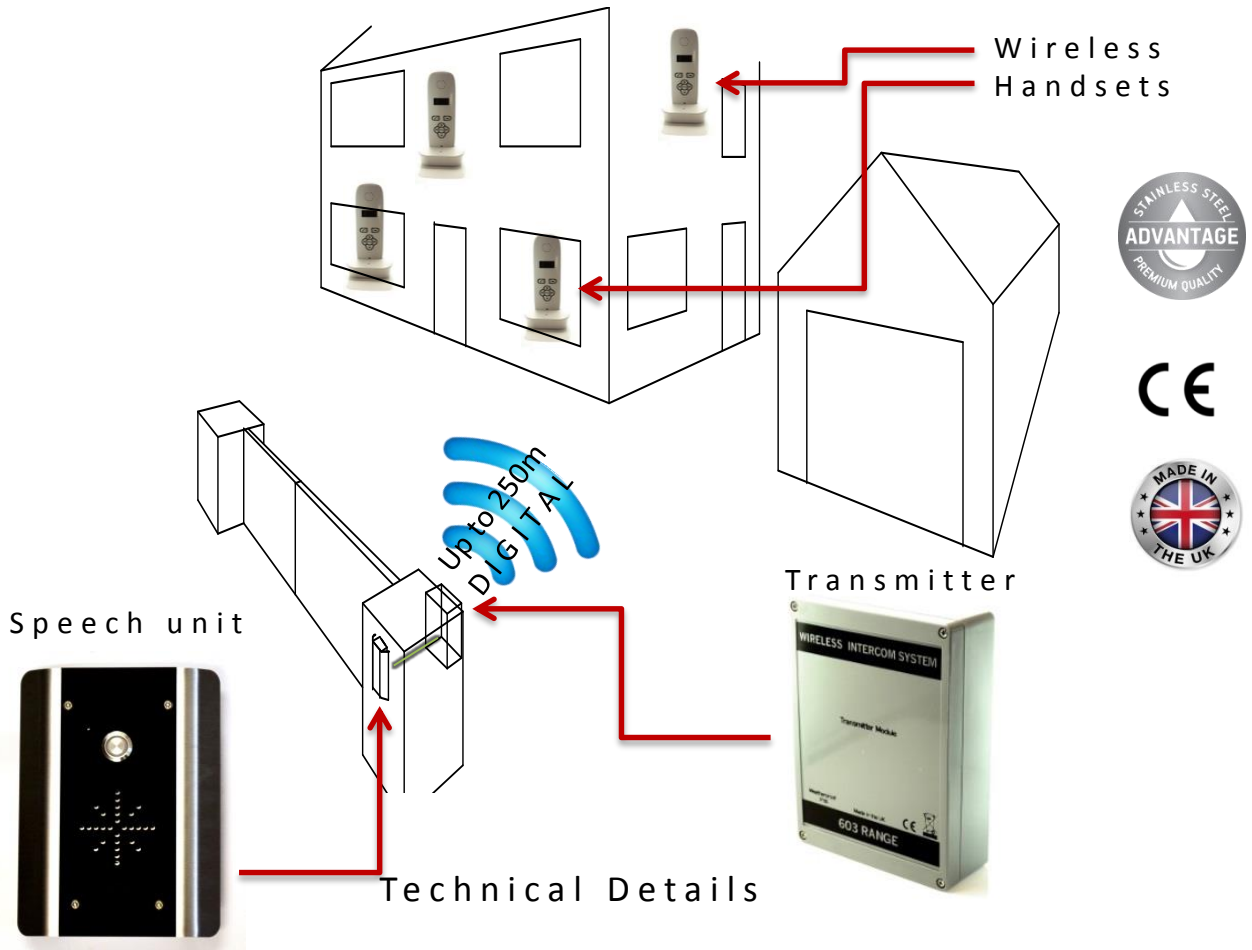


- Digital D.E.C.T wireless intercom system.
- Working range of 200 metres (up to 400 metres open field conditions).
- Up to 4 handsets per system.
- **NEW for 2015** – soon available with 2 relays!
- Simple setup and install.
- Keypad option for coded access.
- Marine grade stainless steel constructed panels with toughened gloss acrylic trim.
- Built in voicemail feature for missed callers, user can listen to messages on handset.
- Make internal calls between handsets.
- 2 year manufacturers warranty.

NEW
2 relays

DECT 603

DECT Wireless Intercom



		Cable between speech unit & transmitter	Screened CAT5
Power Supply	12v dc (adaptor included)	Max cable length	8 meters (recommend short as possible)
Current Consumption	50mA standby, 250mA calling	Cable cores	2 x SPK, 2 x MIC, 2 x power, 2 x button
Relay Outputs	2	Speech unit IP rating	IP55
Relay type	N/O & N/C contacts	Transmitter IP rating	IP65
Relay time	Fixed 4 seconds	Manufacturer Warranty	2 year return to base warranty
Relay load	2A 24v AC max	Keypad programming	On the keypad
Technology type	1.88GHz DECT Digital Technology	Keypad codes	1200 total
Handsets per system	4	Wiegand output	Yes, 26 or 34 bit

DECT 603

DECT Wireless Intercom



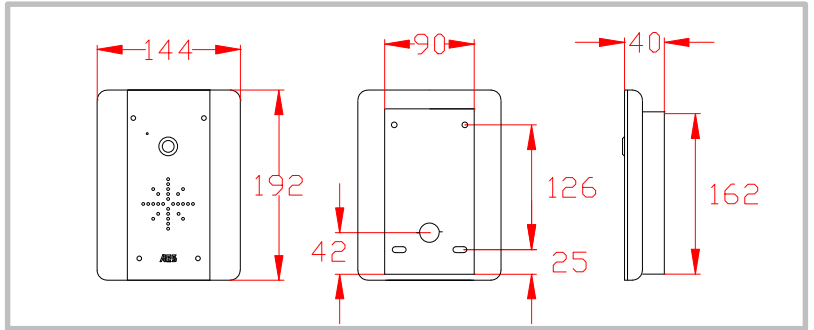
- Easy to use handset, simple answer and end call button.
- Door release button can also be used when a call is not active (press and hold to release door or gate).

Technical Details

Power Supply	5v dc (adaptor included)
Technology type	1.88GHz DECT Digital Technology
Handsets per system	4
Handset Battery	AAA Ni-mH rechargeable
Handset battery life	24 hours between charging

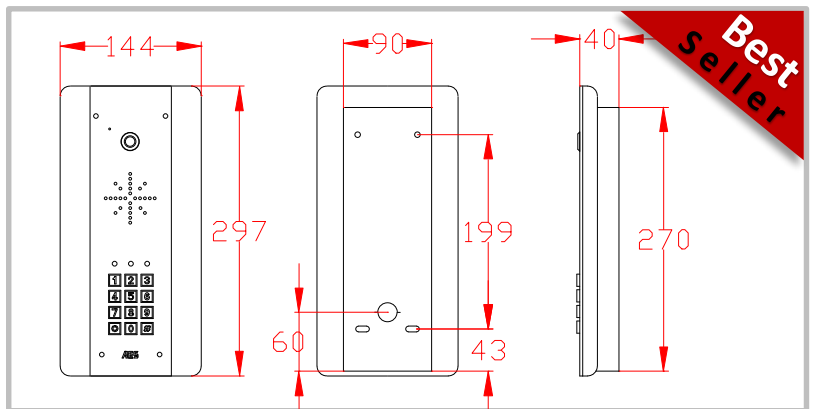
DECT 603

Kits & Part numbers



603-AB (Architectural Model)

- Stylish curved architectural model
- Modern blue back lighting effect.
- BS316 marine grade, brushed stainless steel construction with gloss acrylic trim.
- Kit includes speech panel, transmitter module, power supply, 3 metres screened CAT5 cable, handset, charging base and charger.

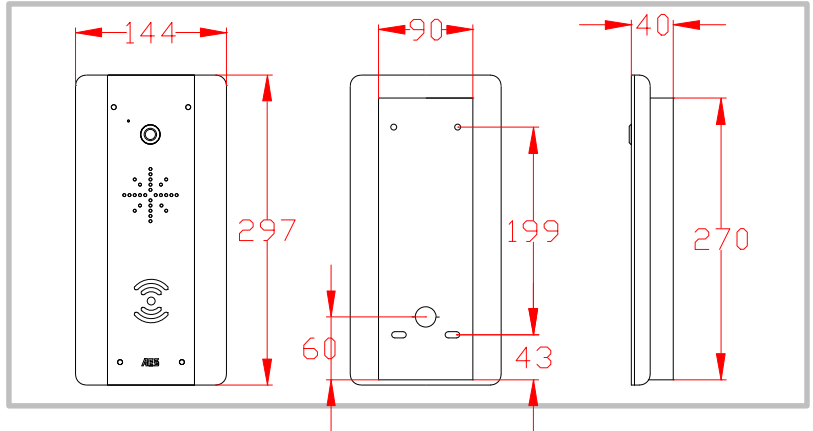


603-ABK (Architectural Keypad Model)

- Stylish curved architectural model
- Built in, illuminated code-lock keypad for access control.
- Keypad includes 3 relays, with latching and momentary operation and many more features.
- Modern blue back lighting effect.
- BS316 marine grade, brushed stainless steel construction with gloss acrylic trim.
- Kit includes speech panel, transmitter module, power supply, 3 metres screened CAT5 cable, handset, charging base, charger, and install manual.

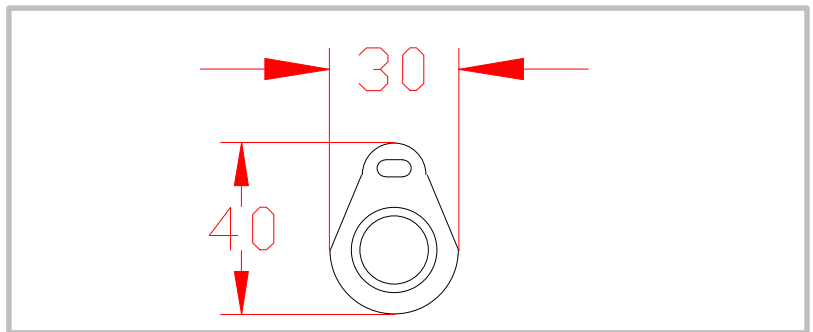
DECT 603

Kits & Part numbers



603-ABP (Architectural Prox Model)

- Stylish curved architectural model.
- Built in stand alone proximity reader.
- 125KHz frequency. Compatible with 4001 / 4100, EM / TEMIC / TK tags.
- Modern blue back lighting effect.
- BS316 marine grade, brushed stainless steel construction with gloss acrylic trim.
- Kit includes 3 user tags, speech panel, transmitter module, power supply, 3 metres screened CAT5 cable, handset, charging base, charger, and install manual.

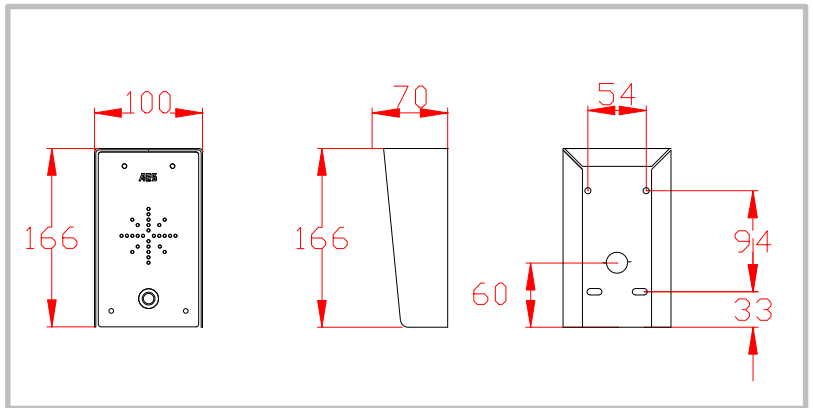


PROX1

- additional Proximity Tags.

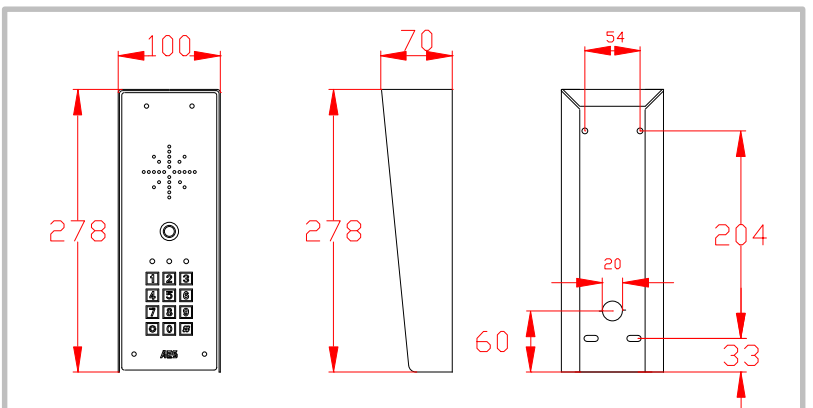
DECT 603

Kits & Part numbers



603-HB (Hooded Model)

- Hooded model, for a more traditional yet smart look.
- BS316 marine grade stainless steel construction with gloss black face trim.
- Built for tough environments.
- Illuminated push button.
- Kit includes speech panel, transmitter module, power supply, 3 metres screened CAT5 cable, handset, charging base, charger and install manual.

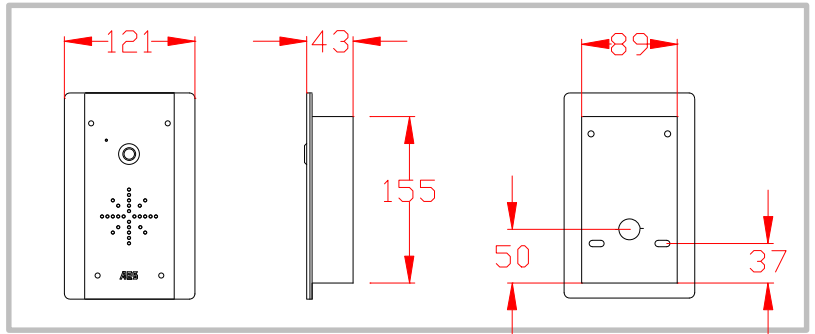


603-HBK (Hooded Model With Keypad)

- Hooded with keypad for a more traditional yet smart look.
- Built in, illuminated code-lock keypad for access control.
- Keypad includes 3 relays, 1200 codes, with latching & momentary operation + more.
- BS316 marine grade, brushed stainless steel construction with gloss acrylic trim.
- Kit includes speech panel, transmitter module, power supply, 3 metres screened CAT5 cable, handset, charging base, charger, and install manual.

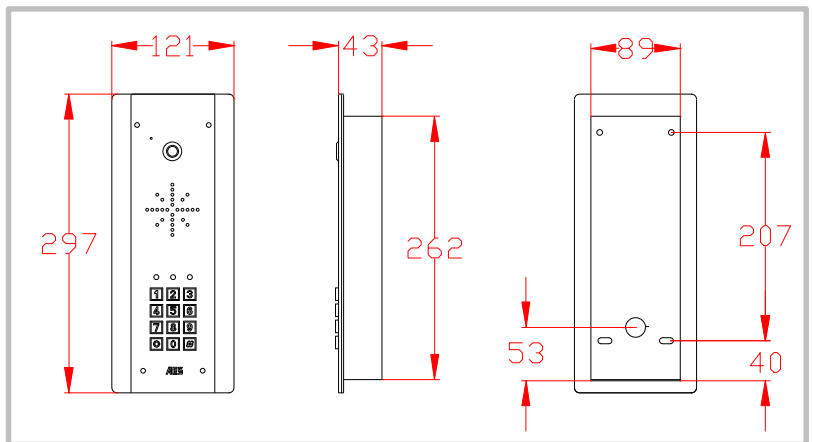
DECT 603

Kits & Part numbers



603-FB (Flush Model)

- Flush mounting model, for a sleek recessed look.
- BS316 marine grade stainless steel construction with gloss black face trim.
- Built for tough environments.
- Illuminated push button.
- Kit includes speech panel, transmitter module, power supply, 3 metres screened CAT5 cable, handset, charging base, charger and install manual.

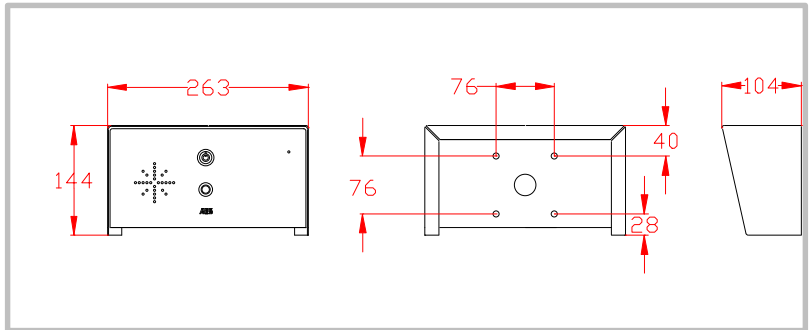


603-FBK (Flush Model with Keypad)

- Flush mounting model, for a sleek recessed look.
- Keypad includes 3 relays, 1200 codes, with latching & momentary operation + more.
- BS316 marine grade stainless steel construction with gloss black face trim.
- Built for tough environments.
- Illuminated push button.
- Kit includes speech panel, transmitter module, power supply, 3 metres screened CAT5 cable, handset, charging base, charger and install manual.

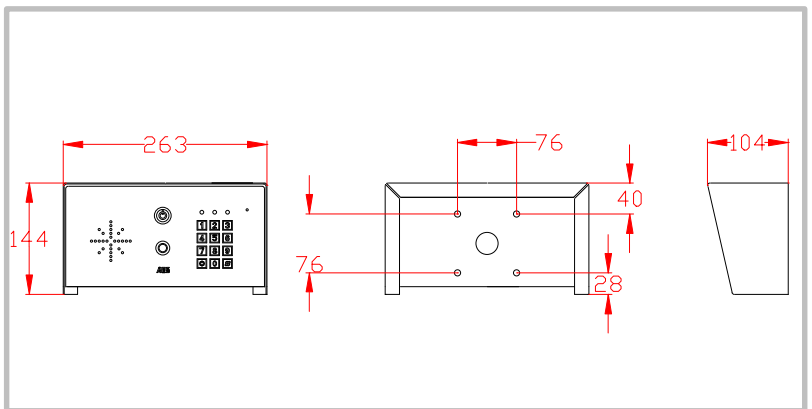
DECT 603

Kits & Part numbers



603-iB (Industrial Model)

- Industrial model for high volume applications on pedestals, vehicle entrances etc.
- Super loud 4 watt speaker, and sensitive microphone.
- Brushed stainless steel construction with gloss acrylic trim.
- Illuminated push button.
- Kit includes speech panel, transmitter module, power supply, 3 metres screened CAT5 cable, handset, charging base, charger and install manual.

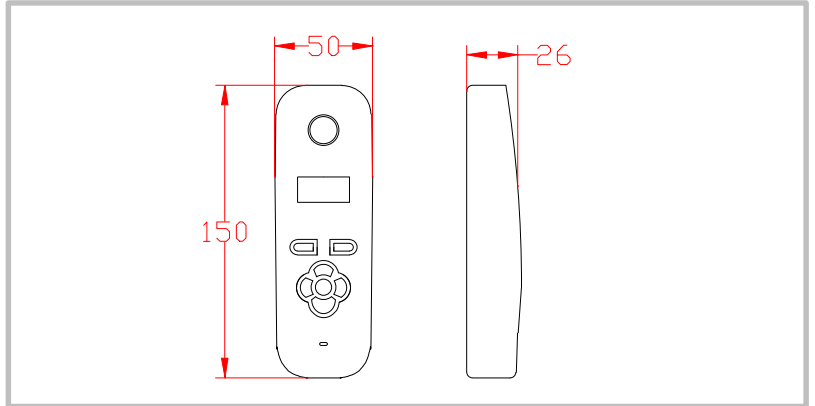


603-iBK (Industrial Model With Keypad)

- Industrial model for high volume applications on pedestals, vehicle entrances etc.
- Super loud 4 watt speaker, and sensitive microphone.
- Illuminated keypad includes 3 relays, 1200 codes, with latching & momentary operation + more.
- Brushed stainless steel construction with gloss acrylic trim.
- Kit includes speech panel, transmitter module, power supply, 3 metres screened CAT5 cable, handset, charging base, charger, and install manual.

DECT 603

Kits & Part numbers



603-EH (Extra Handset)

- Add up to 3 extra handsets to any 603 kit (4 handsets in total).
- Make internal calls between handsets.
- Complete with charging base and plug in charger.

INNOVATIVE SECURITY TECHNOLOGY



Tel: +44(0) 288 639 0 693

www.aesglobalonline.com

INNOVATIVE SECURITY TECHNOLOGY



Tel: +44(0) 288 639 0 693

www.aesglobalonline.com

Advanced Electronic Solutions **Global**



Global Distributors

I n n o v a t i v e S e c u r i t y S o l u t i o n s



Global Sales

Email: sales@aesglobalonline.com

Tel: +44(0)288 639 0 693

Head Office

Unit 4C
Kilcronagh Business Park
Cookstown
County Tyrone
BT80 9HJ
Northern Ireland
United Kingdom

VAT Reg: 971238609 Company Reg: NI072570

UK North & Midlands Sales

Email: north@aesglobalonline.com

Tel: 0845 544 1001

Mobile: 07714 254 255

UK South & London Sales

Email: south@aesglobalonline.com

Tel: 0144 292 7788

Mobile: 07714 254 256

Tel: +44(0) 288 639 0 693

www.aesglobalonline.com