

Datasheet

KEY-S, KEY-A - Surface or Flush 2-Position Key Switches

Product Description

This 2-position key switch range are available in architrave (KEY-A) or in standard UK single gang size (KEY-S). Both key switches come in flush or surface mounting.

The faceplates are manufactured of 304 grade stainless steel and are laser engraved with "ON" and "OFF" for durability. Surface units are provided with an aluminium shroud finished in brushed stainless steel and supplied with 2 x stainless steel screws.

Both, the KEY-A or the KEY-S series are available as keyed alike or keyed to differ to suit any installation requirement.



Key Features

- Standard or architrave 2-position key switches
- Supplied with two keys
- Keyed alike or keyed to differ
- Double pole
- Momentary or maintained version
- Available in flush or surface

 Certification

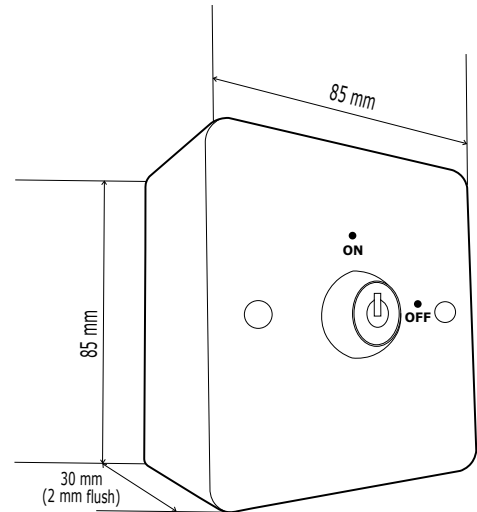
 DEEE

RoHS Certification

 -20°C to 55°C

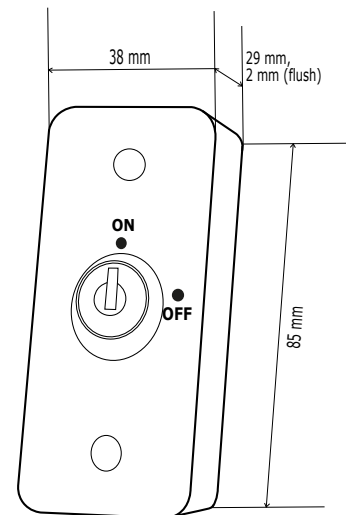
Product Specifications

Material:	304 stainless steel
Mounting:	Flush or surface
Cycles tested:	500,000
Output:	DPDT
Relays:	2
Contact:	NO/NC
Weight:	
• Surface:	Standard: 0.31 kg Architrave: 0.22 kg
• Flush:	Standard: 0.2 kg Architrave: 0.12 kg



Electrical Specifications

Power input:	24Vdc
Consumption:	2A (max load)



Range References

E0900D000033	KEY-ASMAKA	Surface architrave key switch, 2-position, maintained, keyed alike
E0901D000095	KEY-AFMAKA	Flush architrave key switch, 2-position, maintained, keyed alike
E0901D000320	KEY-ASMAKD	Surface architrave key switch, 2-position, maintained, keyed to differ
E0900D000031	KEY-SSMAKA	Surface square key switch, 2-position, maintained, keyed alike
E0901D000056	KEY-SFMAKA	Flush square key switch, 2-position, maintained, keyed alike
E0901D000091	KEY-SSMAKD	Surface square key switch, 2-position, maintained, keyed to differ
E0901D000093	KEY-SFMAKD	Flush square key switch, 2-position, maintained, keyed to differ