

Datasheet

VIDEO ENTRY/ CDV-4796KP-DX Kit - 1-way entry kit

Product description

The 2EASY Series from CDVI offer you advanced communication directly to your mobile device thanks to its WiFi connection with no monthly or annual subscription cost.

Thanks to its 2-wire non polarised connection, installation and maintenance is simple and straightforward.

The CDV-47DX now includes WiFi connection and a new mobile app, allowing users to control access from their mobile phone by receiving calls or remotely releasing multiple locks.



CDV-47DX



CDV-PC6

CDV-96KP

Key features

- Monitor available in black or white
- Door station with integral keypad
- 2-wire connection
- Expandable (*contact CDVI technical support for more information*)
- WiFi connection and mobile app

 Certification

 DEEE

 RoHS Certification

All the information contained within this document (pictures, drawing, features, dimensions, specifications), could be perceptibly different and can be changed without prior notice. - April 2020 - CDVI_CDV-4796P-DX_DS_02_EN_A4_C

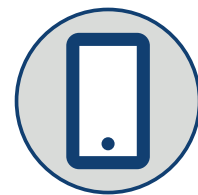
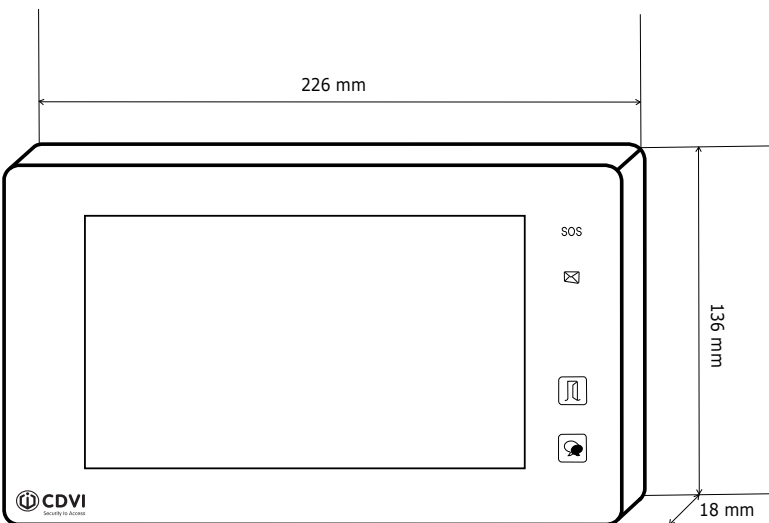
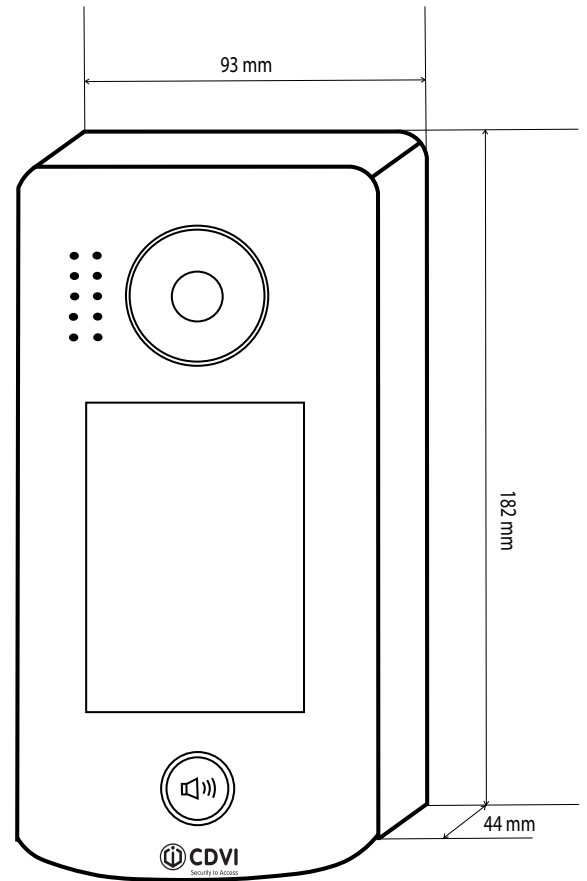
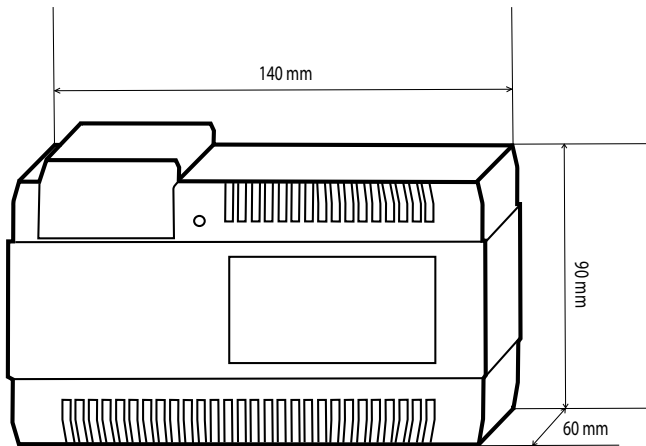
Kit includes

CDV-47DX: 7" colour WiFi connectable monitor with touch screen

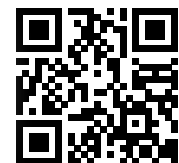
CDV-96KP: 1-way door station, with integral keypad

CDV-PC6: Power/Bus combiner

(see respective datasheets for more information)



Download the app today!



Search: VDP Connect

All the information contained within this document (pictures, drawing, features, dimensions, specifications), could be perceptibly different and can be changed without prior notice. - April 2020 - CDVI_CDV-4796P-DX_DS_02_EN_A4_C